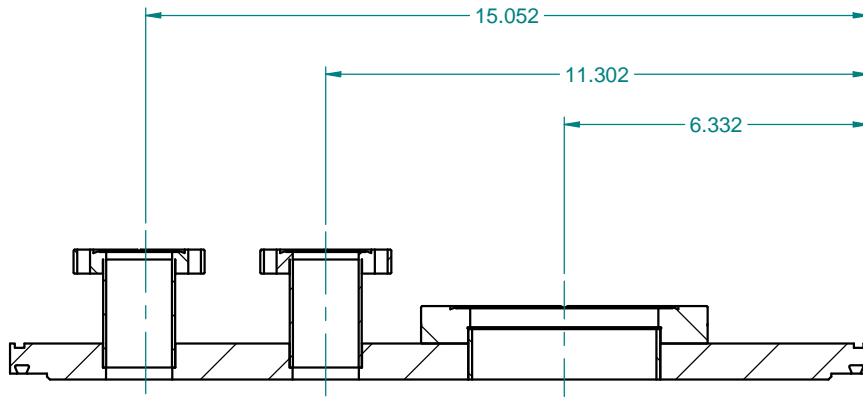
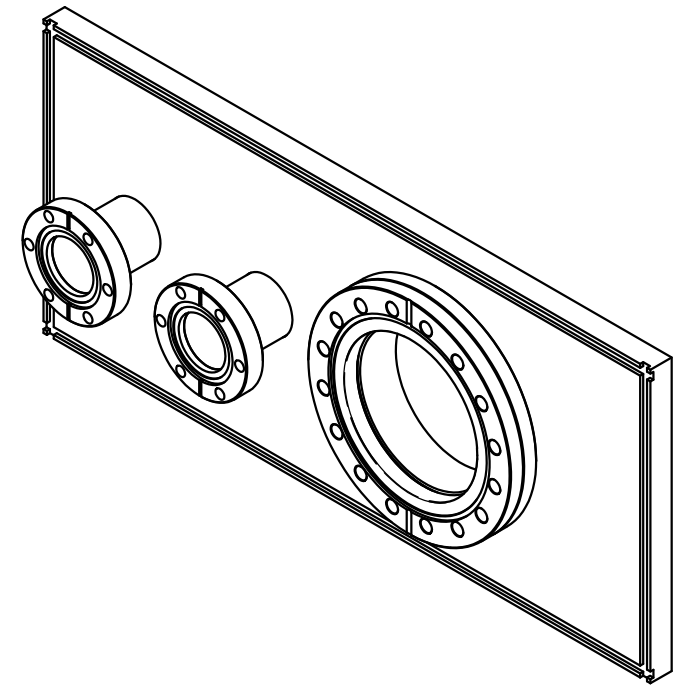
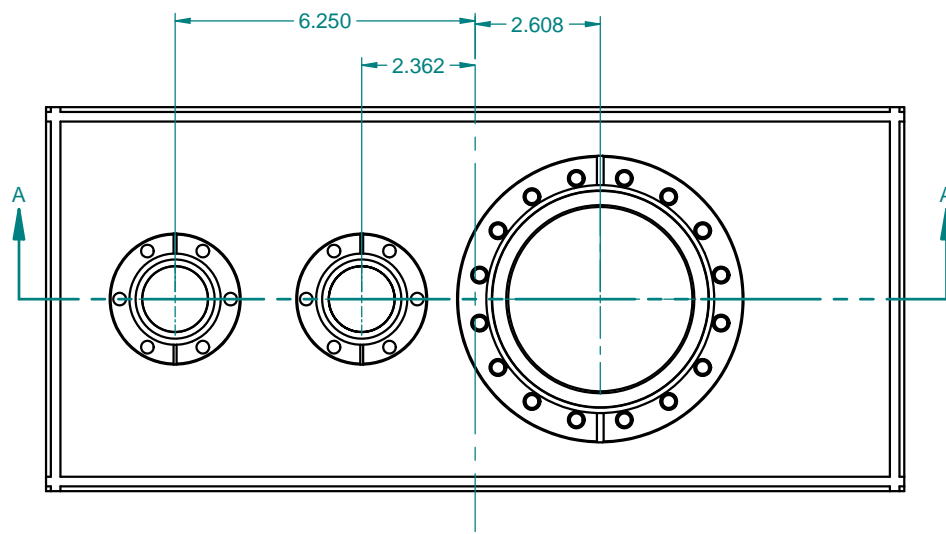


REV	DESCRIPTION	DWN	CHKR	APVD	DATE
-----	-------------	-----	------	------	------



SECTION A-A



CHECK-PRINT
oriunno
05-28-2014 03:42:27 PM

ESTIMATED MASS
29.579 lbm

NEXT ASSEMBLIES:	DIMENSIONING AND TOLERANCING IS IAW ASME Y14.5M-1994 AND Y14.41-2003	SCALE: DO NOT SCALE DRAWING	CAD FILE NAME:
	UNLESS OTHERWISE SPECIFIED DIMENSIONS ARE IN INCHES. TOLERANCES: BREAK EDGES .005-.015 INTERNAL CORNERS R.015 MAX	SLAC NATIONAL ACCELERATOR LABORATORY	
	FRACTIONS ± DEC .XX± .XXX± .XXXX± ANGLE ±	ALL SURF ✓	
		<small>THE DRAWINGS, SPECIFICATIONS AND OTHER DATA HEREIN PROVIDED SHALL NOT BE COPIED, PUBLISHED OR OTHERWISE FURTHER DISSEMINATED WITHOUT PRIOR WRITTEN PERMISSION OF STANFORD UNIVERSITY/SLAC</small>	<small>DATE</small> _____ <small>APPROVALS</small> ENGR _____ DWN _____ CHKR _____

C SH OF