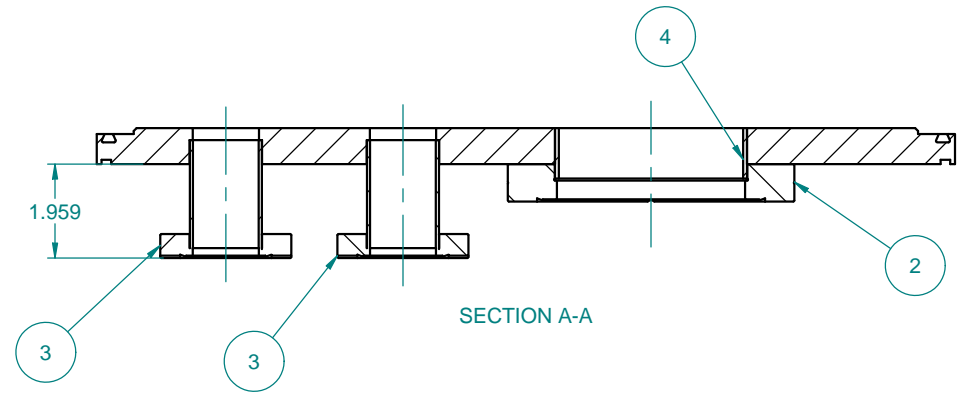
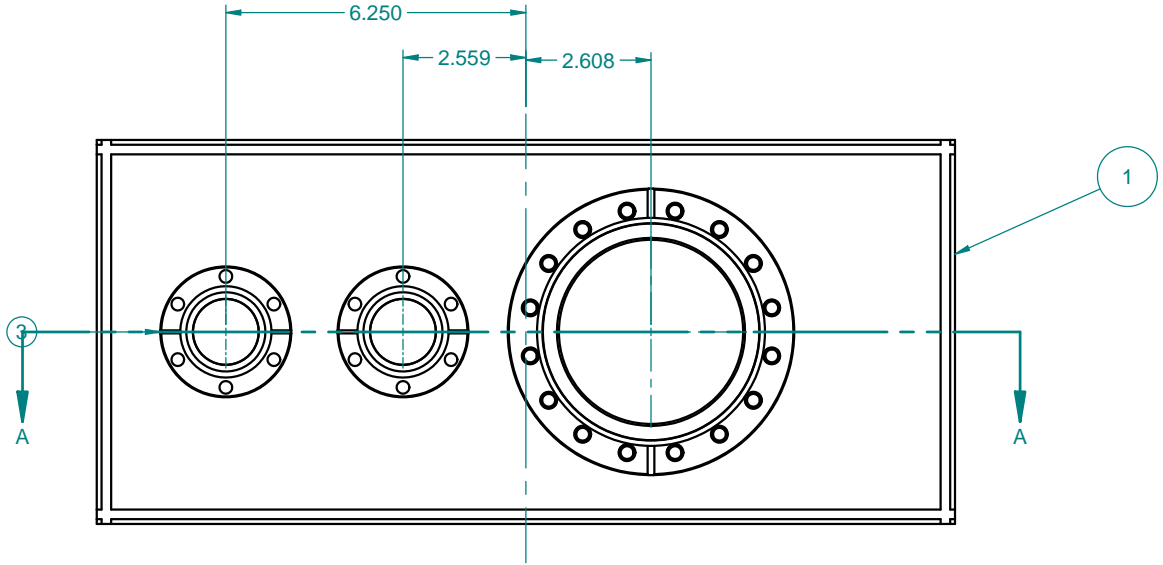


REV	DESCRIPTION	DWN	CHKR	APVD	DATE
-----	-------------	-----	------	------	------



CHECK-PRINT
oriunno
06-30-2014 12:01:21 PM

4	4 Inches Tube.par	1	
3		2	MDC 401002
2	CF DN 100 6"	1	
1	mo26460011-0.par	1	PF-264-611-31
ITEM	Title	QTY	Document Number

ESTIMATED MASS
29.579 lbm

NEXT ASSEMBLIES:	DIMENSIONING AND TOLERANCING IS IAW ASME Y14.5M-1994 AND Y14.41-2003	SCALE: DO NOT SCALE DRAWING	CAD FILE NAME:
	UNLESS OTHERWISE SPECIFIED DIMENSIONS ARE IN INCHES. TOLERANCES: BREAK EDGES .005-.015 INTERNAL CORNERS R.015 MAX	SLAC NATIONAL ACCELERATOR LABORATORY	
	FRACTIONS ± DEC .XX± .XXX± .XXXX± ANGLE ±	ALL SURF ✓	
		THE DRAWINGS, SPECIFICATIONS AND OTHER DATA HEREIN PROVIDED SHALL NOT BE COPIED, PUBLISHED OR OTHERWISE FURTHER DISSEMINATED WITHOUT PRIOR WRITTEN PERMISSION OF STANFORD UNIVERSITY/SLAC ENGR _____ DATE _____ DWN _____ CHKR _____	APPROVALS

SH OF C