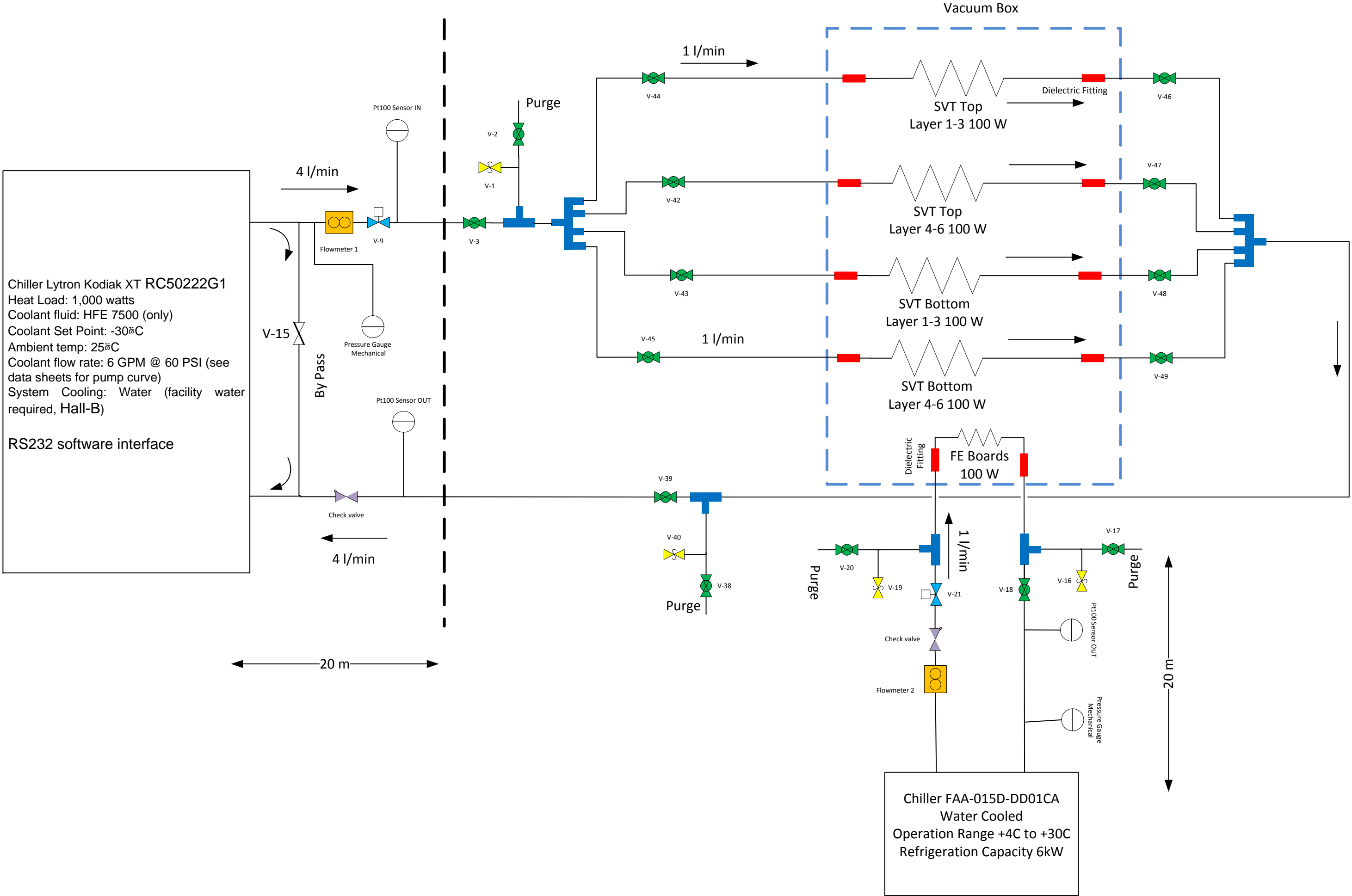


Chiller Lytron Kodiak XT RC50222G1  
 Heat Load: 1,000 watts  
 Coolant fluid: HFE 7500 (only)  
 Coolant Set Point: -30°C  
 Ambient temp: 25°C  
 Coolant flow rate: 6 GPM @ 60 PSI (see data sheets for pump curve)  
 System Cooling: Water (facility water required, Hall-B)  
 RS232 software interface



← 20 m →

↑ 20 m ↓

Chiller FAA-015D-DD01CA  
 Water Cooled  
 Operation Range +4C to +30C  
 Refrigeration Capacity 6kW