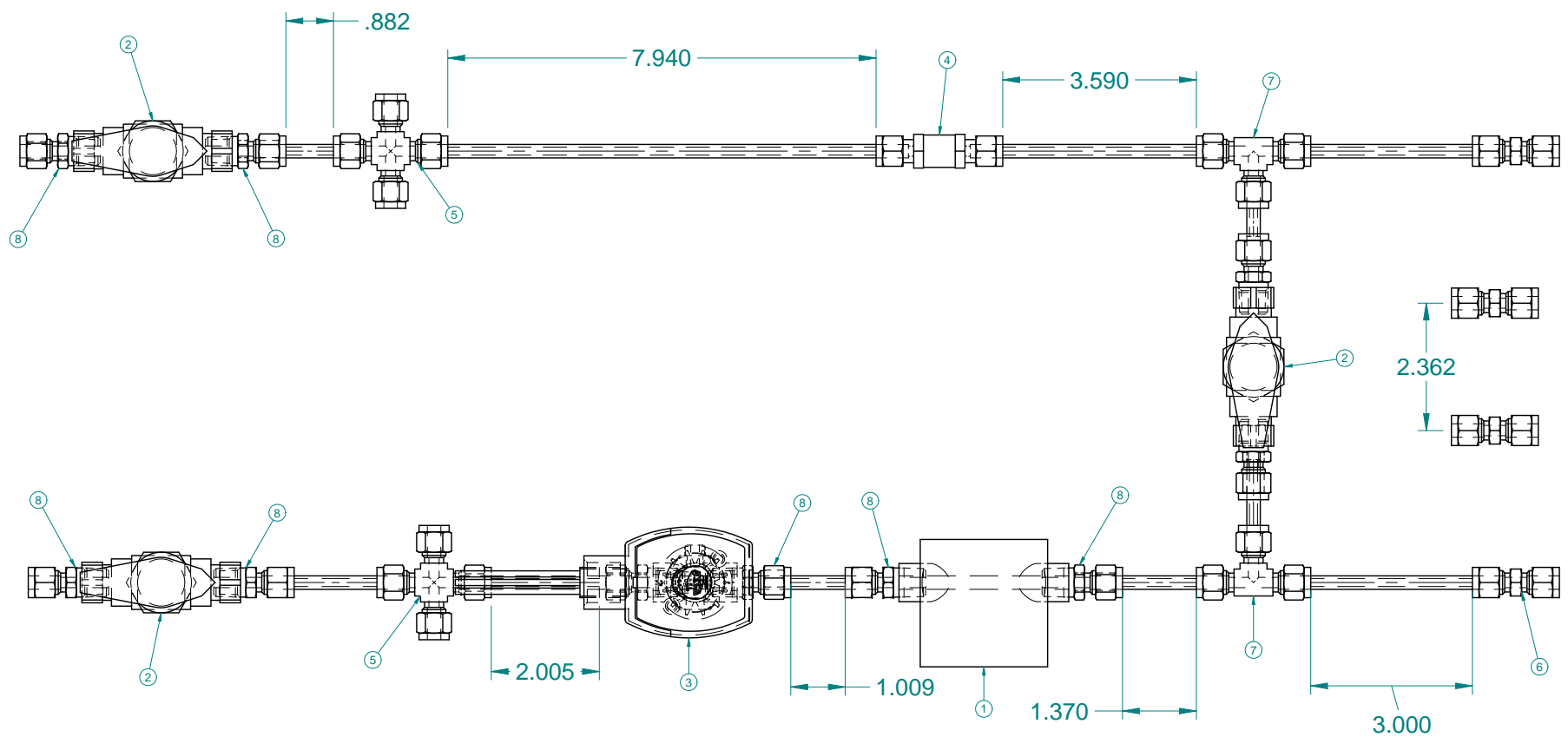


REV	DESCRIPTION	DWN	CHK	APP	DATE



8	Male Connector 1/4 NPTM	7	SS-400-1-4
7	Union Tee 1/4	2	SS-400-3
6	Union 1/4	1	SS-400-6
5	Union Cross 1/4	2	SS-400-4
4	Poppet Check Valves	1	SS-4C-1
3	Solenoid Valve N/O 1/4 NPTF	1	8262H260
2	Ball Valves 1/4 NPTF	3	SS-83KF4
1	Paddle Wheel flowmeter 1/4 NPTF	1	RFO-POLY-0.25NPT
ITEM	Title	QTY	Document Number

**CHECK-PRINT**  
**oriunno**  
**05-01-2014 05:54:49 PM**

**ESTIMATED MASS**  
**8.489 lbm**

DIMENSIONING AND TOLERANCING IS IN ACCORDANCE WITH ASME Y14.5M-1994 AND Y14.41-2003		SCALE: DO NOT SCALE DRAWING	CAD FILE NAME:
UNLESS OTHERWISE SPECIFIED, DIMENSIONS ARE IN INCHES. TOLERANCES: FRACTIONS ±			
BREAK EDGES 005-015 INTERNAL CORNERS R.015 MAX			
DEC .XXX± .XXX± .XXX± .XXX± ANGLE ±		THE DRAWINGS, SPECIFICATIONS AND OTHER DATA HEREIN PROVIDED SHALL NOT BE COPIED, PUBLISHED OR OTHERWISE FURTHER DISSEMINATED WITHOUT PRIOR WRITTEN PERMISSION OF STANFORD UNIVERSITY/SLAC	
NEXT ASSEMBLIES:		ENGR: <b>Marco Oriunno</b> DWN: CHR:	U.S. DEPARTMENT OF ENERGY SLAC ENERGY DATE: _____ APPROVALS: _____ DRAWING NUMBER: _____ REVISION NUMBER: _____

**Cooling manifold**

**D**