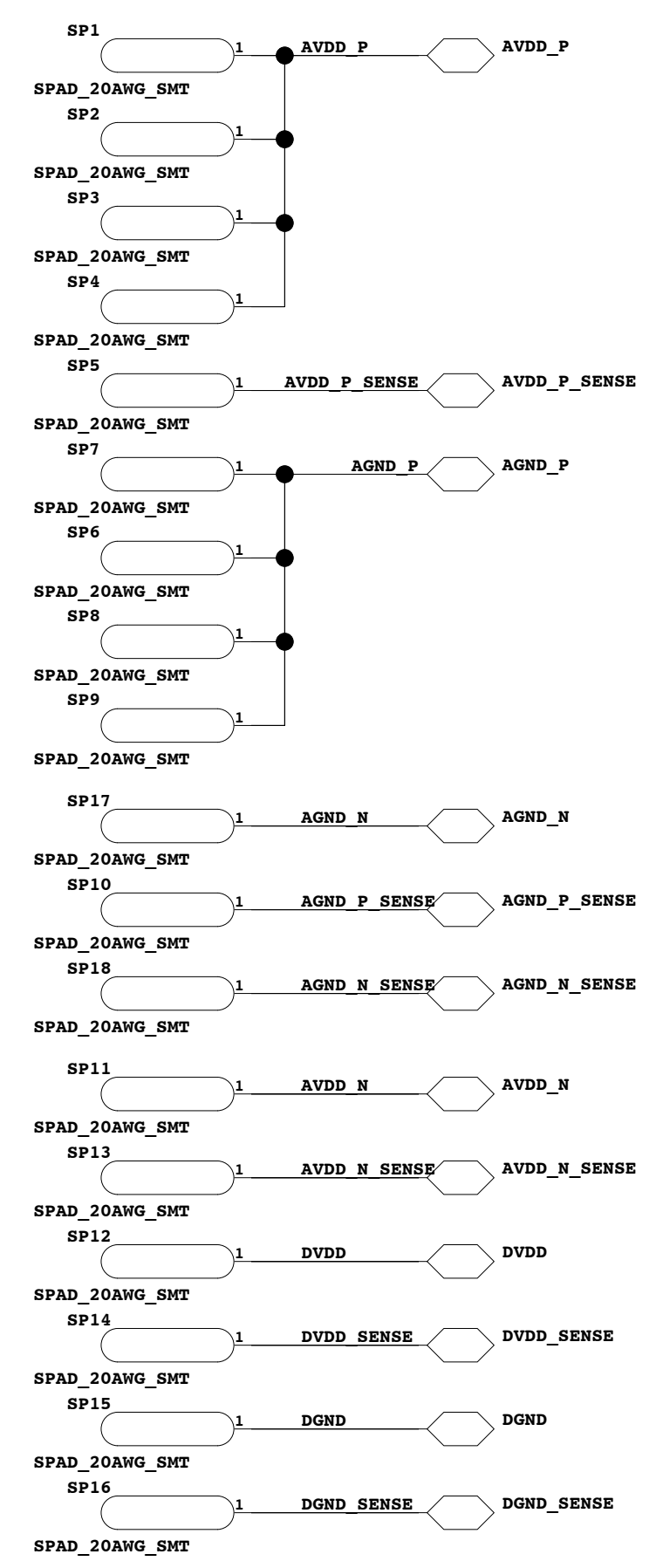


20/03/2014:13:36

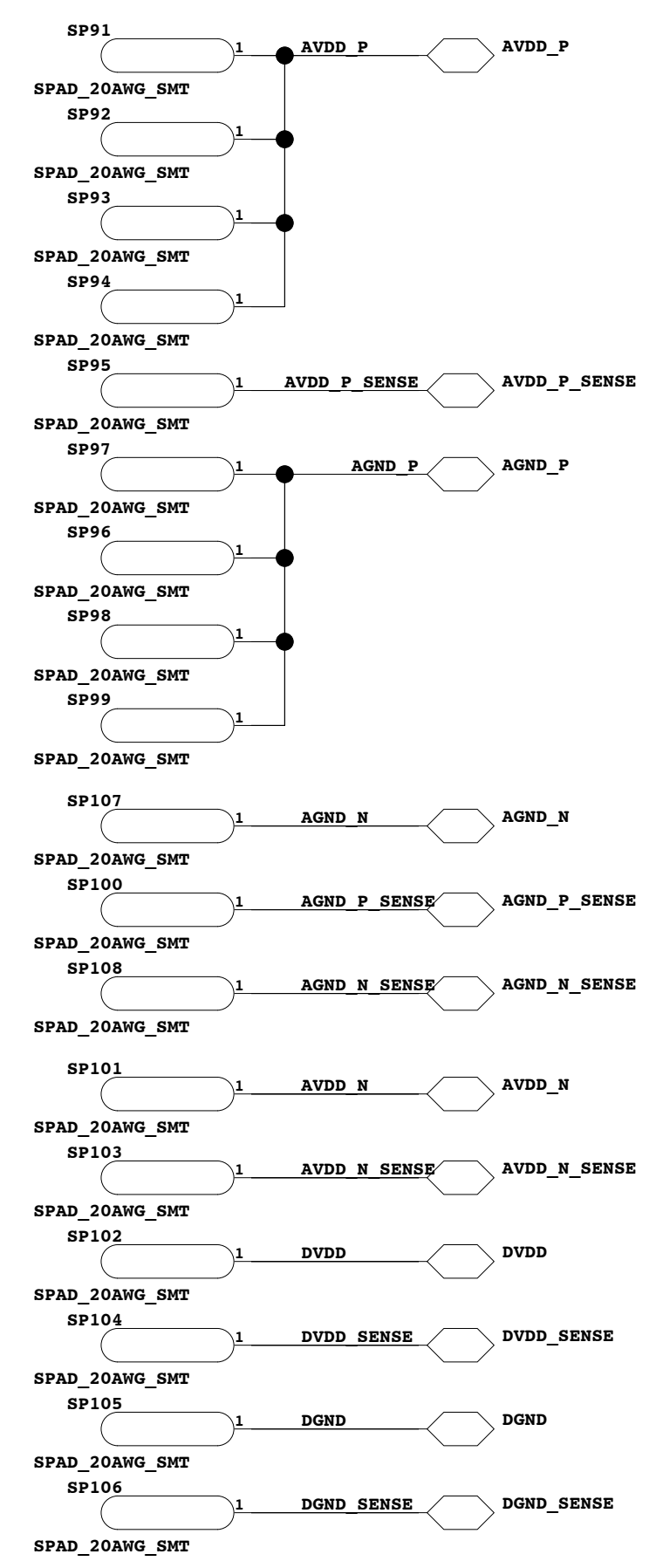
SLAC NATIONAL ACCELERATOR LABORATORY U.S. DEPARTMENT OF ENERGY <small>STANFORD UNIVERSITY STANFORD, CALIFORNIA</small>		SHEET 1 OF 21												
<small>PROPRIETARY DATA OF STANFORD UNIVERSITY AND/OR U.S. DEPARTMENT OF ENERGY. RECIPIENT SHALL NOT PUBLISH THE INFORMATION WITHIN UNLESS GRANTED SPECIFIC PERMISSION OF STANFORD UNIVERSITY.</small>		HPS Front End Low Voltage Flange Board TOP LEVEL												
<table border="1"> <thead> <tr> <th>ENGR</th> <th>DATE</th> <th>APPROVALS</th> </tr> </thead> <tbody> <tr> <td>Benjamin Reese</td> <td>2014</td> <td></td> </tr> <tr> <td> </td> <td> </td> <td> </td> </tr> <tr> <td> </td> <td> </td> <td> </td> </tr> </tbody> </table>	ENGR	DATE	APPROVALS	Benjamin Reese	2014								LOCATED AT SHEET TOP SD-249-901-16-C00	
ENGR	DATE	APPROVALS												
Benjamin Reese	2014													



20/03/2014:13:35

SLAC NATIONAL ACCELERATOR LABORATORY U.S. DEPARTMENT OF ENERGY <small>STANFORD UNIVERSITY STANFORD, CALIFORNIA</small>	
<small>PROPRIETARY DATA OF STANFORD UNIVERSITY AND/OR U.S. DEPARTMENT OF ENERGY. RECIPIENT SHALL NOT PUBLISH THE INFORMATION WITHIN UNLESS GRANTED SPECIFIC PERMISSION OF STANFORD UNIVERSITY.</small>	
<small>ENGR</small>	<small>DATE</small>
Benjamin Reese	2014
<small>SPER</small>	
<small>CHKD</small>	

SHEET 21 OF 21 HPS Front End High Voltage Flange Board TOP LEVEL
LOCATED AT SHEET 1 SD-249-901-15-C00



20/03/2014:13:35

SLAC NATIONAL ACCELERATOR LABORATORY U.S. DEPARTMENT OF ENERGY <small>STANFORD UNIVERSITY STANFORD, CALIFORNIA</small>		
<small>PROPRIETARY DATA OF STANFORD UNIVERSITY AND/OR U.S. DEPARTMENT OF ENERGY. RECIPIENT SHALL NOT PUBLISH THE INFORMATION WITHIN UNLESS GRANTED SPECIFIC PERMISSION OF STANFORD UNIVERSITY.</small>		
<small>ENGR</small>	<small>DATE</small>	<small>APPROVALS</small>
Benjamin Reese	2014	
<small>DFTR</small>		
<small>CHKD</small>		

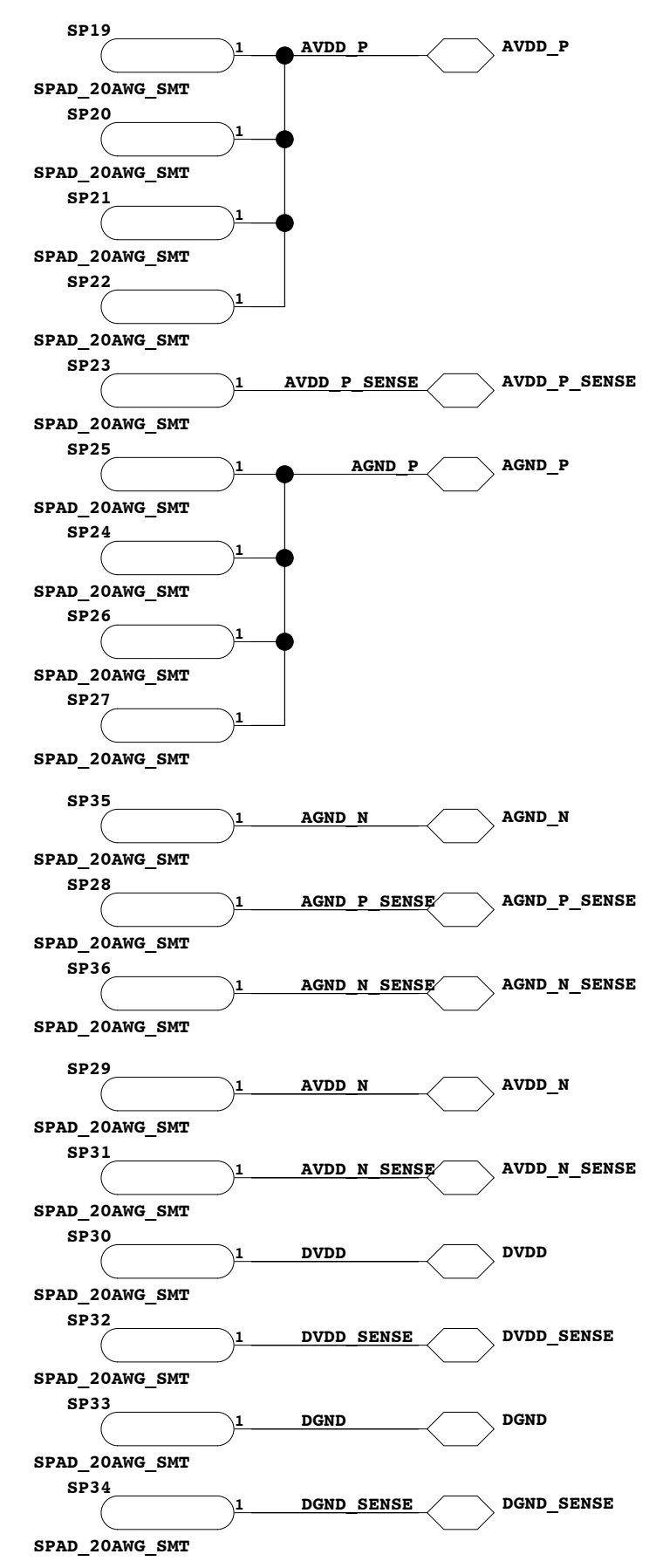
SHEET 6 OF 21

HPS Front End High Voltage Flange Board
TOP LEVEL

LOCATED AT SHEET 1

SD-249-901-15-C00

D



20/03/2014:13:35

SLAC NATIONAL ACCELERATOR LABORATORY U.S. DEPARTMENT OF ENERGY <small>STANFORD UNIVERSITY STANFORD, CALIFORNIA</small>	
<small>PROPRIETARY DATA OF STANFORD UNIVERSITY AND/OR U.S. DEPARTMENT OF ENERGY. RECIPIENT SHALL NOT PUBLISH THE INFORMATION WITHIN UNLESS GRANTED SPECIFIC PERMISSION OF STANFORD UNIVERSITY.</small>	
<small>ENGR</small>	<small>DATE</small>
Benjamin Reese	2014
<small>DATE</small>	<small>APPROVALS</small>
<small>CHKD</small>	

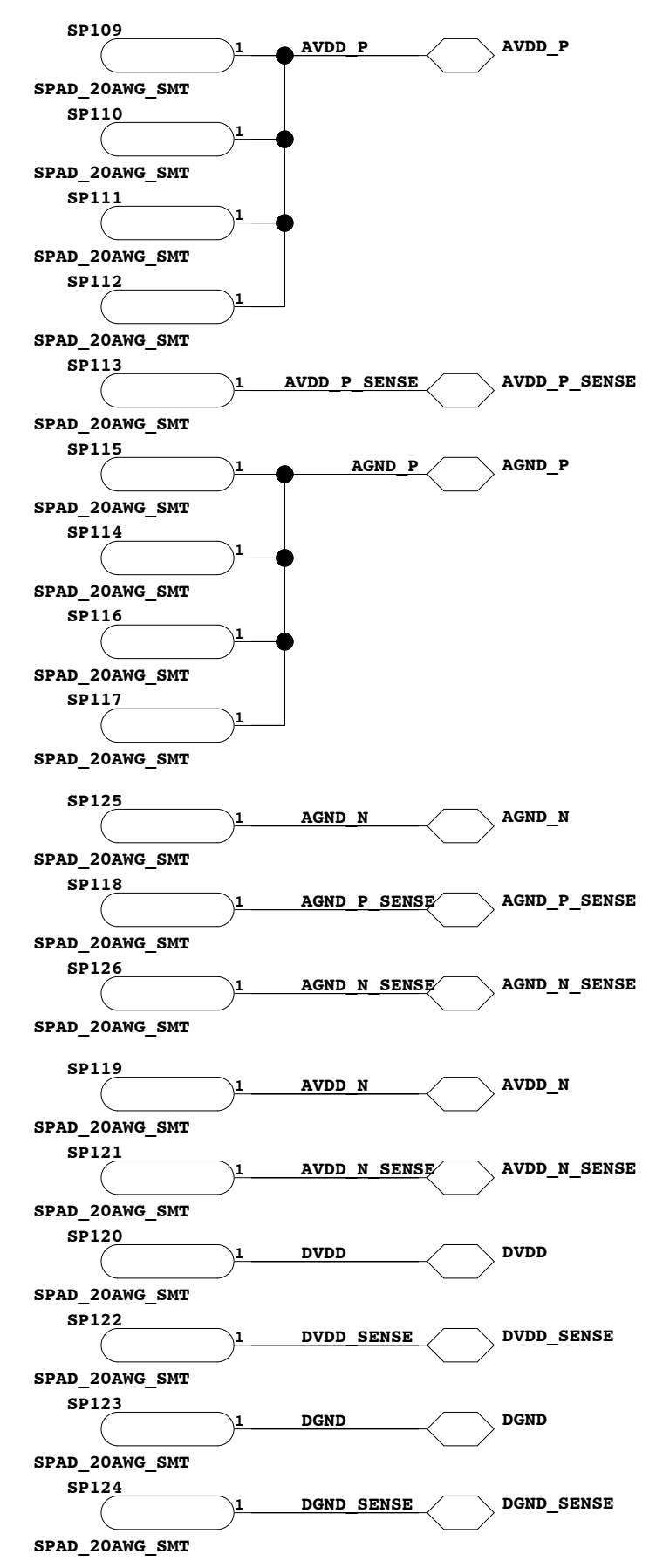
SHEET 2 OF 21

HPS Front End High Voltage Flange Board
TOP LEVEL

LOCATED AT SHEET 1

SD-249-901-15-C00

D



20/03/2014:13:35

SLAC NATIONAL ACCELERATOR LABORATORY U.S. DEPARTMENT OF ENERGY <small>STANFORD UNIVERSITY STANFORD, CALIFORNIA</small>	
<small>PROPRIETARY DATA OF STANFORD UNIVERSITY AND/OR U.S. DEPARTMENT OF ENERGY. RECIPIENT SHALL NOT PUBLISH THE INFORMATION WITHIN UNLESS GRANTED SPECIFIC PERMISSION OF STANFORD UNIVERSITY.</small>	
<small>ENGR</small>	<small>APPROVALS</small>
Benjamin Reese	
<small>DATE</small>	
2014	
<small>CHKD</small>	

SHEET 7 OF 21

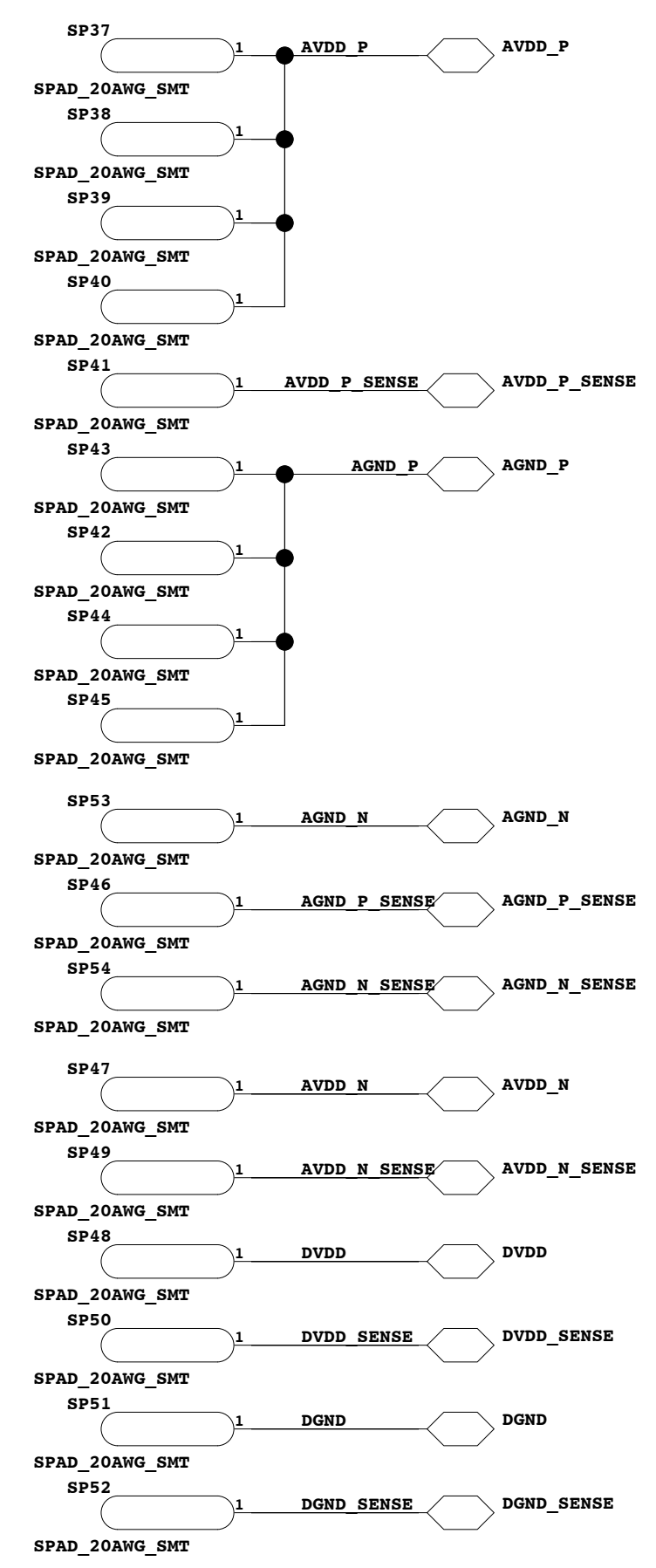
HPS Front End High Voltage Flange Board

TOP LEVEL

LOCATED AT SHEET 1

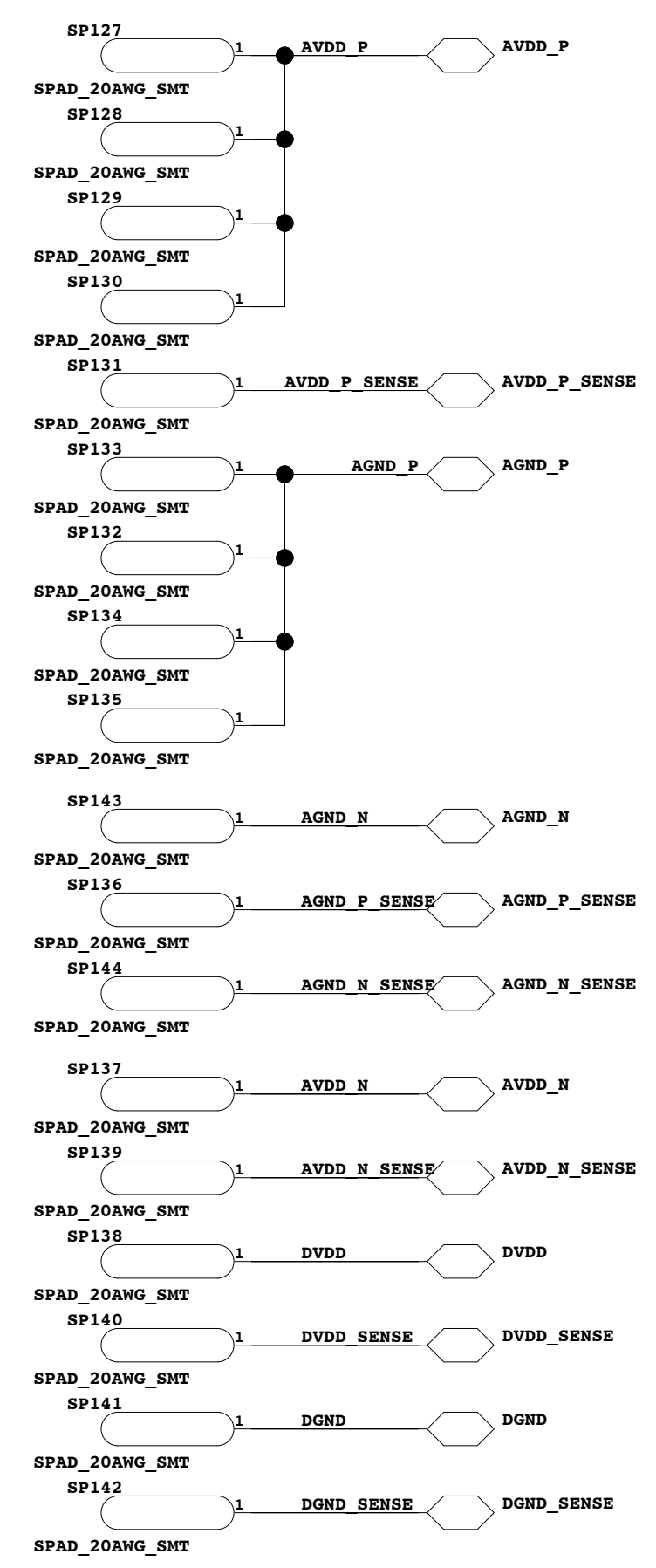
SD-249-901-15-C00

D



20/03/2014:13:35

SLAC NATIONAL ACCELERATOR LABORATORY U.S. DEPARTMENT OF ENERGY <small>STANFORD UNIVERSITY STANFORD, CALIFORNIA</small>		SHEET 3 OF 21
<small>PROPRIETARY DATA OF STANFORD UNIVERSITY AND/OR U.S. DEPARTMENT OF ENERGY. RECIPIENT SHALL NOT PUBLISH THE INFORMATION WITHIN UNLESS GRANTED SPECIFIC PERMISSION OF STANFORD UNIVERSITY.</small>		HPS Front End High Voltage Flange Board TOP LEVEL
<small>ENGR</small>	<small>DATE</small>	<small>APPROVALS</small>
Benjamin Reese	2014	
<small>SPER</small>		
<small>CHKD</small>		
		LOCATED AT SHEET 1
		SD-249-901-15-C00



20/03/2014:13:35

SLAC NATIONAL ACCELERATOR LABORATORY U.S. DEPARTMENT OF ENERGY <small>STANFORD UNIVERSITY STANFORD, CALIFORNIA</small>	
<small>PROPRIETARY DATA OF STANFORD UNIVERSITY AND/OR U.S. DEPARTMENT OF ENERGY. RECIPIENT SHALL NOT PUBLISH THE INFORMATION WITHIN UNLESS GRANTED SPECIFIC PERMISSION OF STANFORD UNIVERSITY.</small>	
<small>ENGR</small>	<small>APPROVALS</small>
Benjamin Reese	
<small>DATE</small>	
2014	
<small>CHKD</small>	

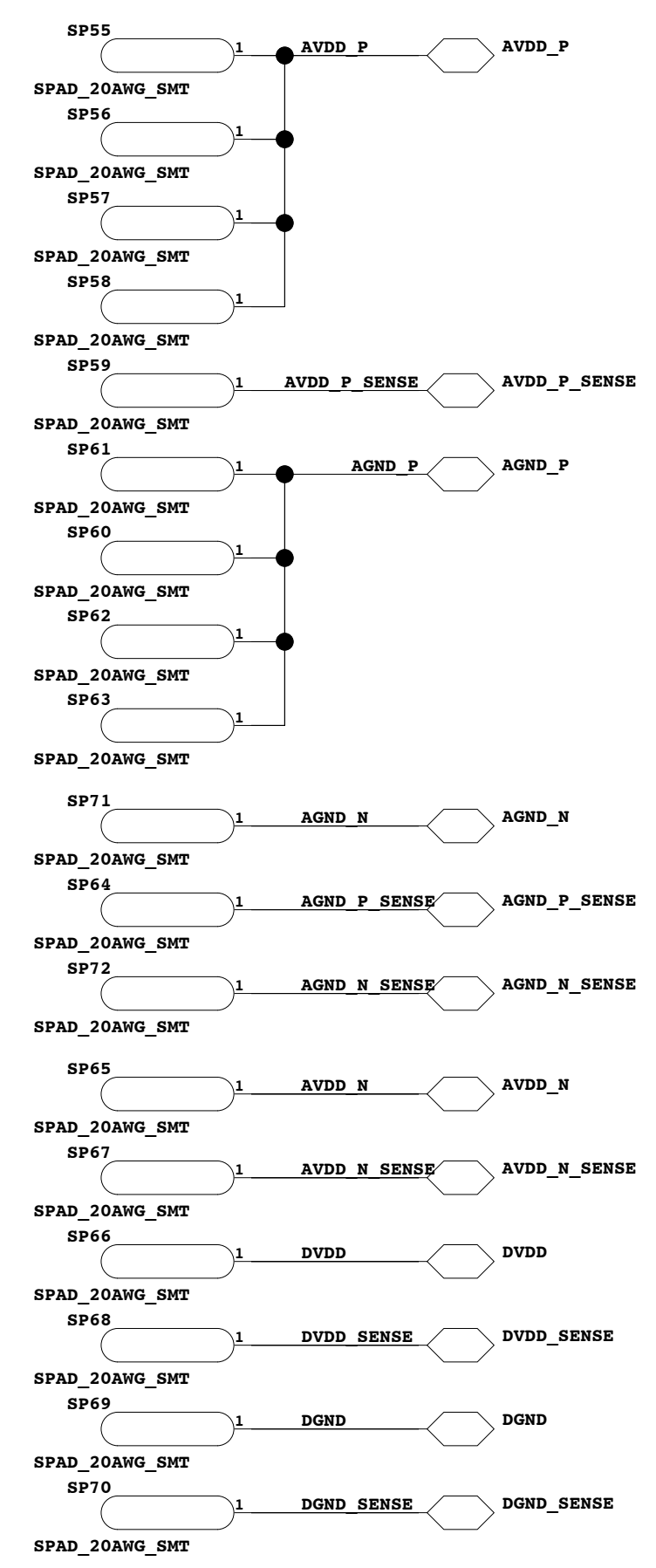
SHEET 8 OF 21

HPS Front End High Voltage Flange Board
TOP LEVEL

LOCATED AT SHEET 1

SD-249-901-15-C00

D



20/03/2014:13:35

SLAC NATIONAL ACCELERATOR LABORATORY U.S. DEPARTMENT OF ENERGY <small>STANFORD UNIVERSITY STANFORD, CALIFORNIA</small>	
<small>PROPRIETARY DATA OF STANFORD UNIVERSITY AND/OR U.S. DEPARTMENT OF ENERGY. RECIPIENT SHALL NOT PUBLISH THE INFORMATION WITHIN UNLESS GRANTED SPECIFIC PERMISSION OF STANFORD UNIVERSITY.</small>	
<small>ENGR</small>	<small>APPROVALS</small>
Benjamin Reese	
<small>DATE</small>	
2014	
<small>CHKD</small>	

SHEET 4 OF 21

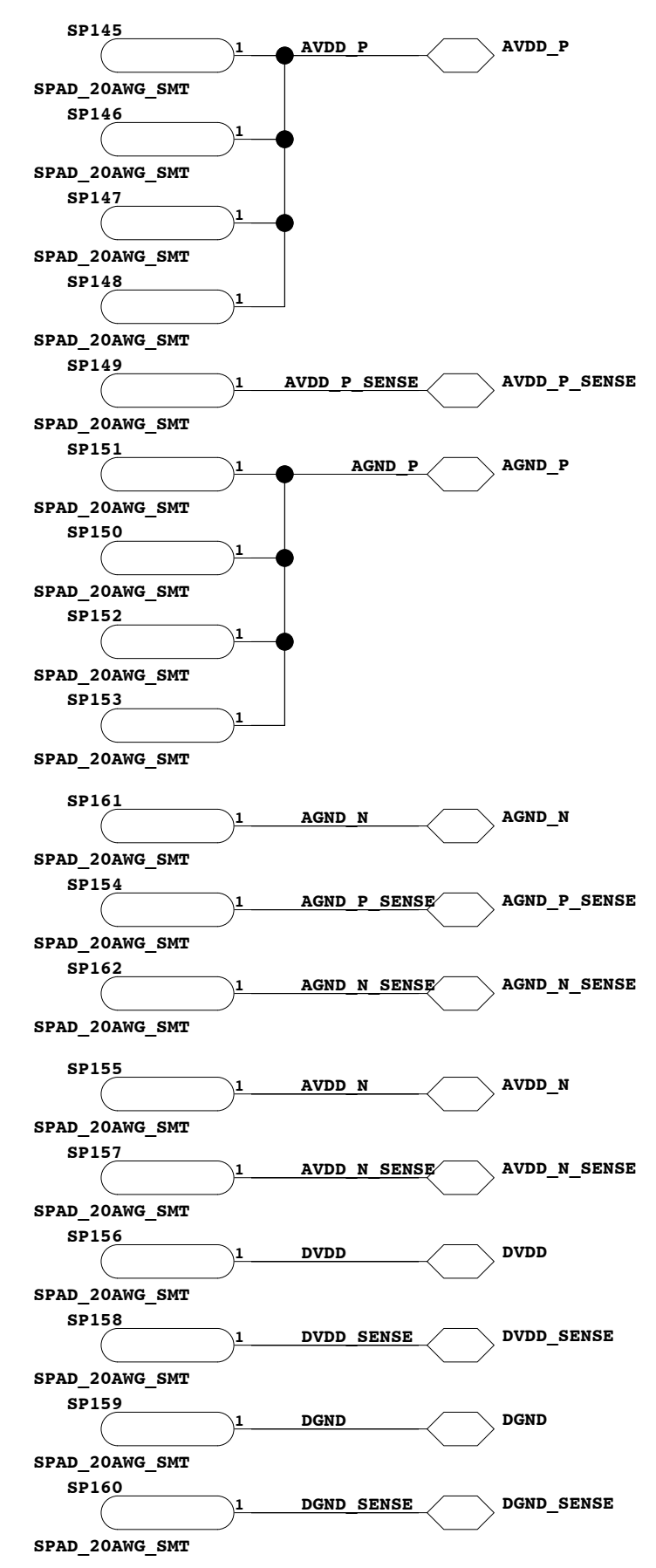
HPS Front End High Voltage Flange Board

TOP LEVEL

LOCATED AT SHEET 1

SD-249-901-15-C00

D



20/03/2014:13:35

SLAC NATIONAL ACCELERATOR LABORATORY U.S. DEPARTMENT OF ENERGY <small>STANFORD UNIVERSITY STANFORD, CALIFORNIA</small>	
<small>PROPRIETARY DATA OF STANFORD UNIVERSITY AND/OR U.S. DEPARTMENT OF ENERGY. RECIPIENT SHALL NOT PUBLISH THE INFORMATION WITHIN UNLESS GRANTED SPECIFIC PERMISSION OF STANFORD UNIVERSITY.</small>	
<small>ENGR</small>	<small>APPROVALS</small>
Benjamin Reese	
<small>DATE</small>	
2014	
<small>CHKD</small>	

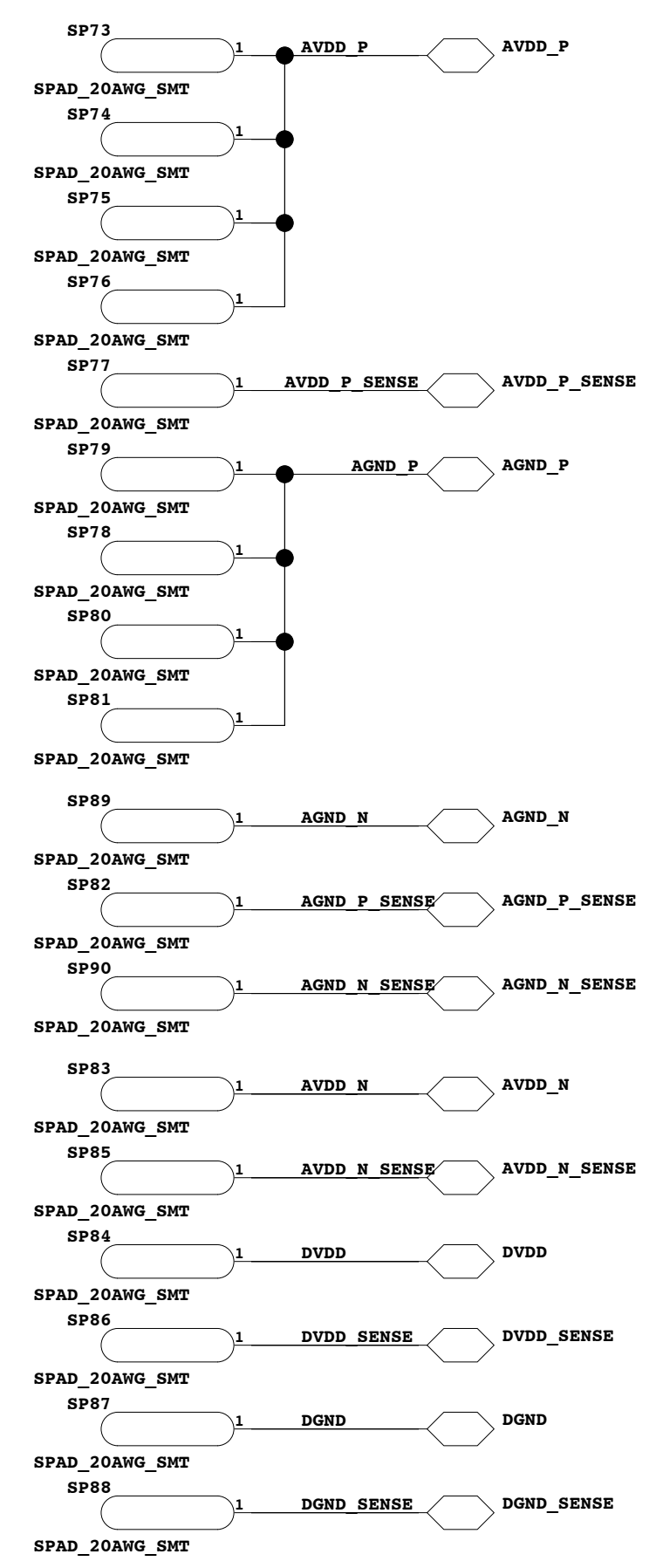
SHEET 9 OF 21

HPS Front End High Voltage Flange Board
TOP LEVEL

LOCATED AT SHEET 1

SD-249-901-15-C00

D



20/03/2014:13:35

SLAC NATIONAL ACCELERATOR LABORATORY U.S. DEPARTMENT OF ENERGY <small>STANFORD UNIVERSITY STANFORD, CALIFORNIA</small>	
<small>PROPRIETARY DATA OF STANFORD UNIVERSITY AND/OR U.S. DEPARTMENT OF ENERGY. RECIPIENT SHALL NOT PUBLISH THE INFORMATION WITHIN UNLESS GRANTED SPECIFIC PERMISSION OF STANFORD UNIVERSITY.</small>	
<small>ENGR</small>	<small>APPROVALS</small>
Benjamin Reese	
<small>DATE</small>	
2014	
<small>CHKD</small>	

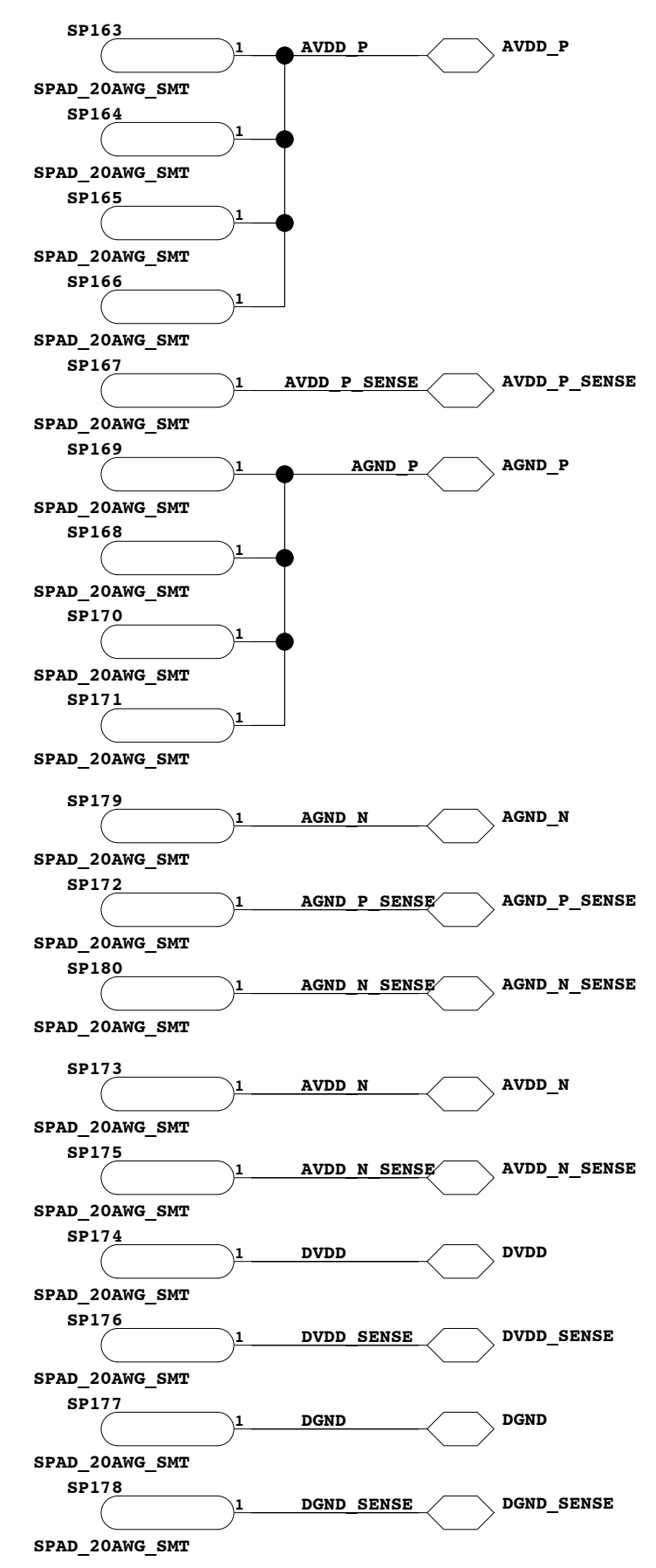
SHEET 5 OF 21

HPS Front End High Voltage Flange Board
TOP LEVEL

LOCATED AT SHEET 1

SD-249-901-15-C00

D



20/03/2014:13:35

SLAC NATIONAL ACCELERATOR LABORATORY U.S. DEPARTMENT OF ENERGY <small>STANFORD UNIVERSITY STANFORD, CALIFORNIA</small>		
<small>PROPRIETARY DATA OF STANFORD UNIVERSITY AND/OR U.S. DEPARTMENT OF ENERGY. RECIPIENT SHALL NOT PUBLISH THE INFORMATION WITHIN UNLESS GRANTED SPECIFIC PERMISSION OF STANFORD UNIVERSITY.</small>		
<small>ENGR</small>	<small>DATE</small>	<small>APPROVALS</small>
Benjamin Reese	2014	
<small>SPER</small>		
<small>CHKD</small>		

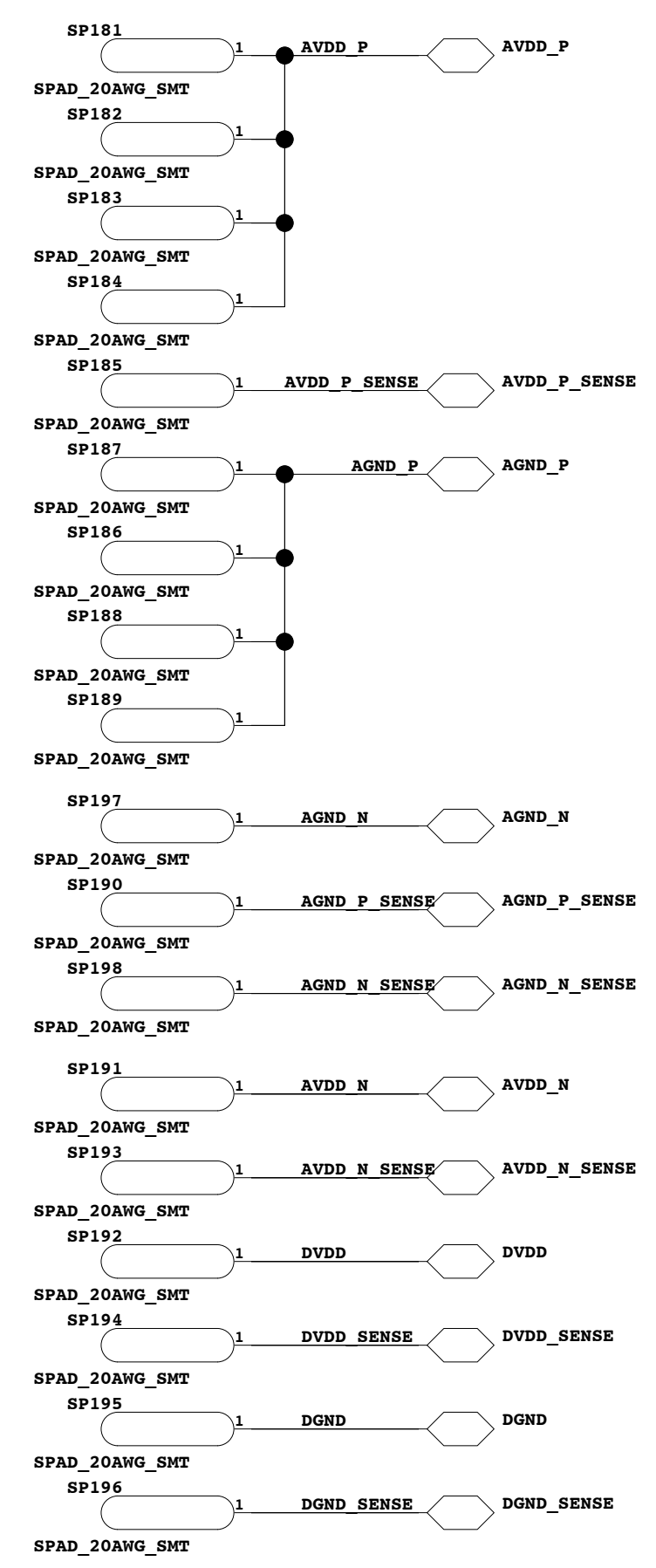
SHEET 10 OF 21

HPS Front End High Voltage Flange Board
TOP LEVEL

LOCATED AT SHEET 1

SD-249-901-15-C00

D



20/03/2014:13:35

SLAC NATIONAL ACCELERATOR LABORATORY U.S. DEPARTMENT OF ENERGY		
STANFORD UNIVERSITY		STANFORD, CALIFORNIA
PROPRIETARY DATA OF STANFORD UNIVERSITY AND/OR U.S. DEPARTMENT OF ENERGY. RECIPIENT SHALL NOT PUBLISH THE INFORMATION WITHIN UNLESS GRANTED SPECIFIC PERMISSION OF STANFORD UNIVERSITY.		
ENGR	Benjamin Reese	DATE: 2014
DATE		APPROVALS
CHKD		

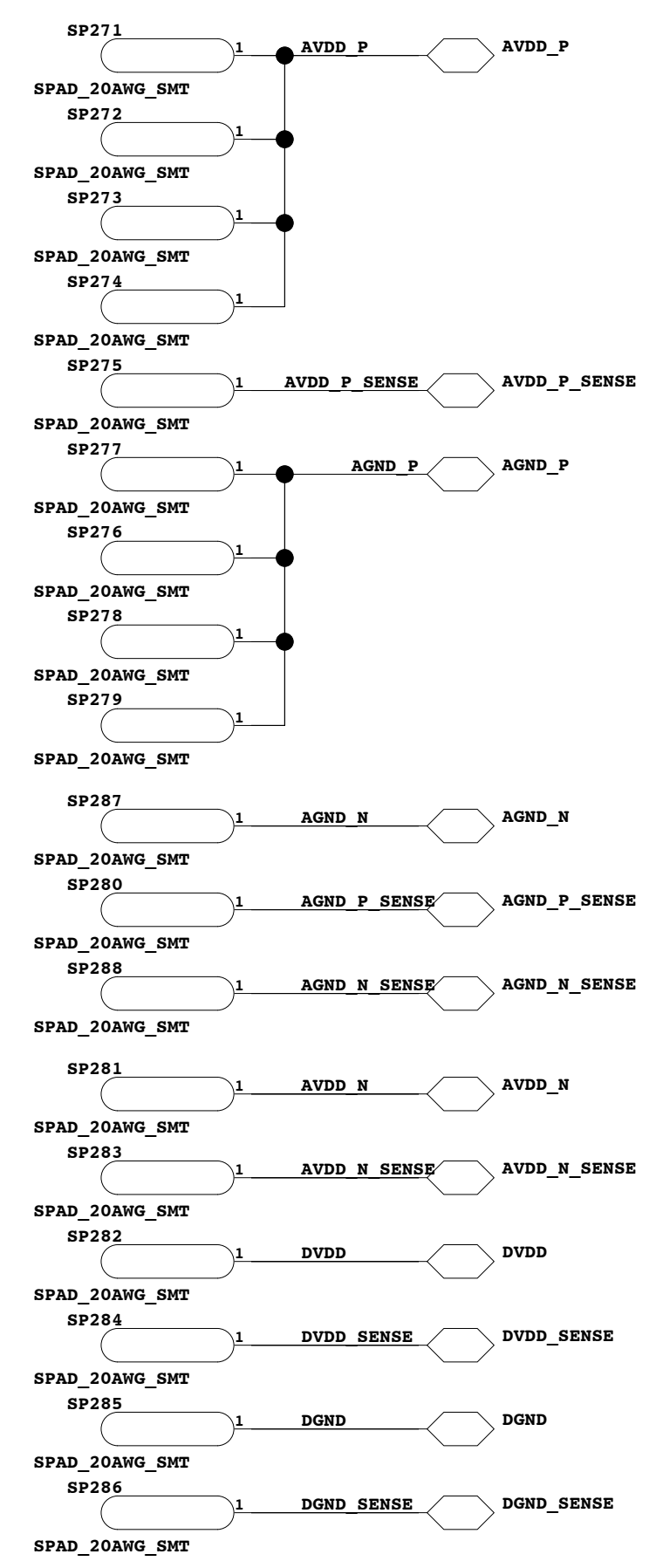
SHEET 11 OF 21

HPS Front End High Voltage Flange Board
TOP LEVEL

LOCATED AT SHEET 1

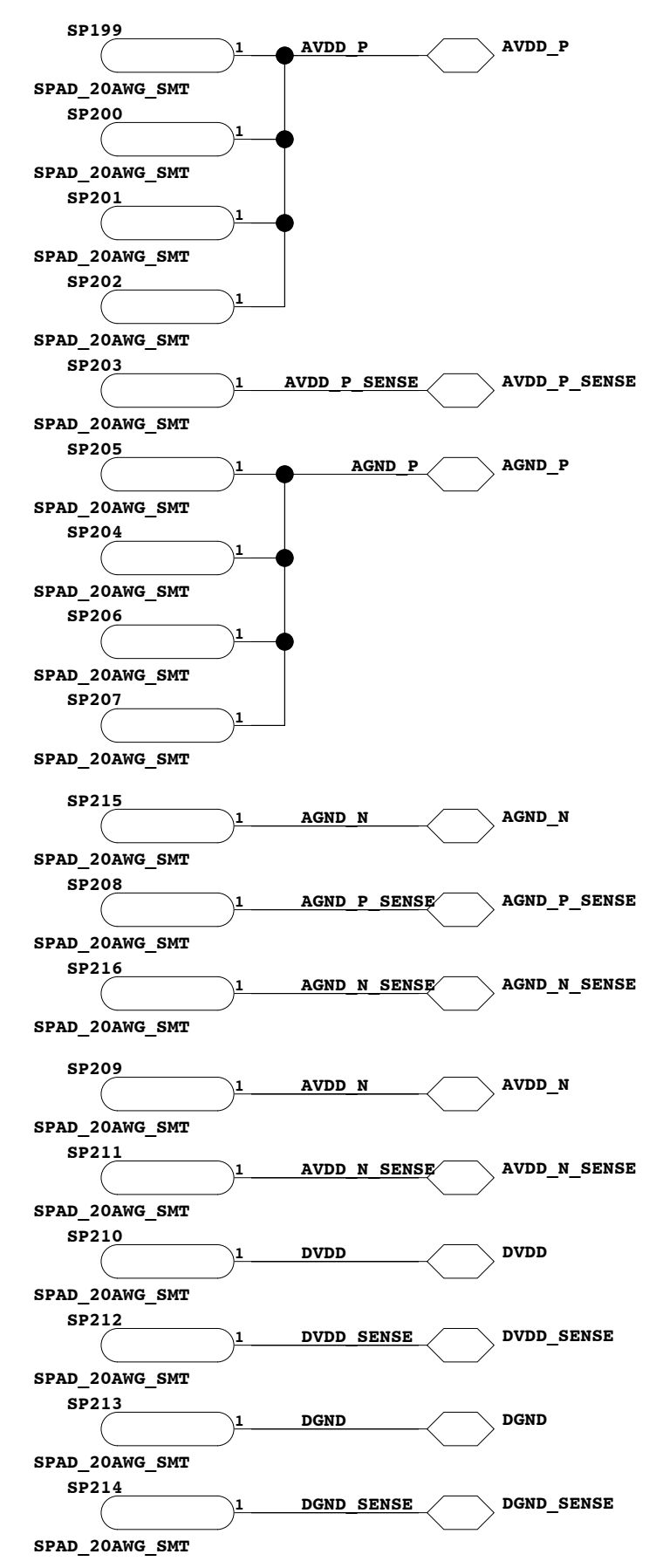
SD-249-901-15-C00

D



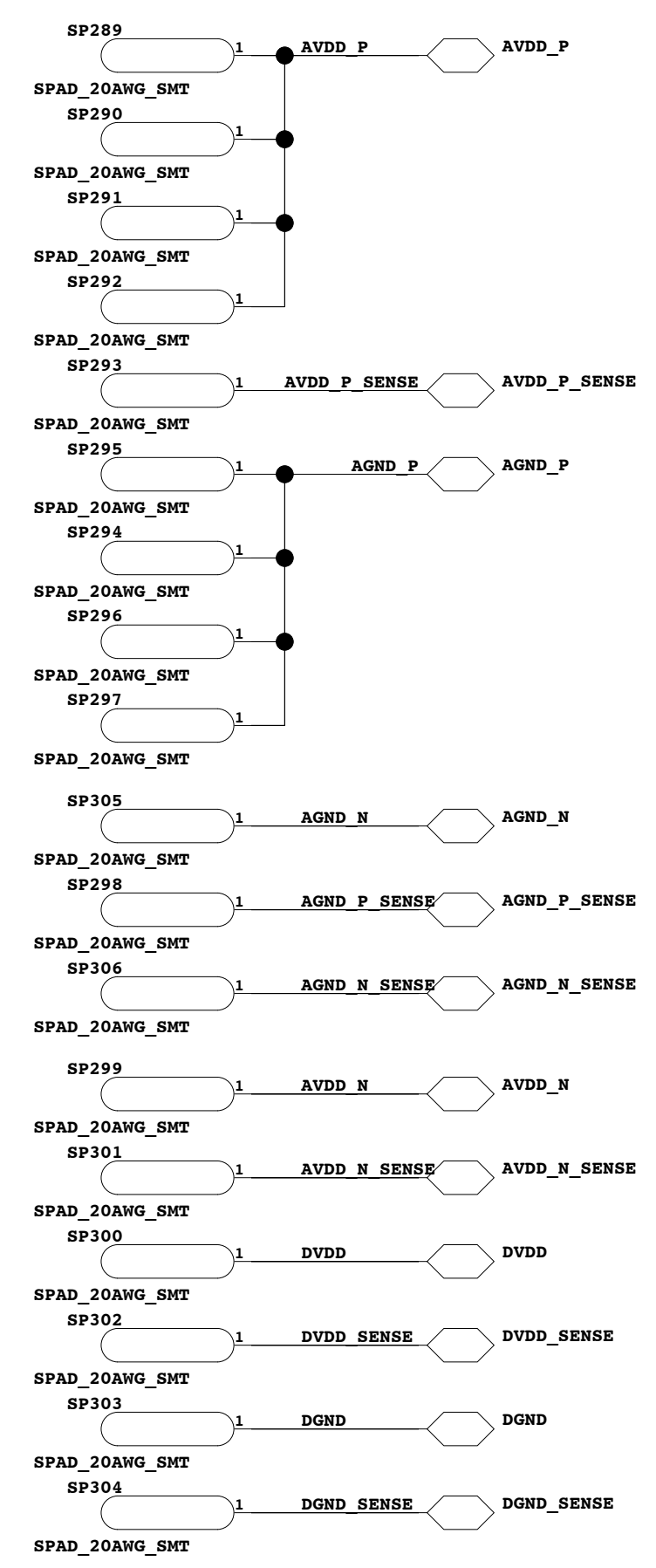
20/03/2014:13:35

SLAC NATIONAL ACCELERATOR LABORATORY U.S. DEPARTMENT OF ENERGY <small>STANFORD UNIVERSITY STANFORD, CALIFORNIA</small>		SHEET 16 OF 21
<small>PROPRIETARY DATA OF STANFORD UNIVERSITY AND/OR U.S. DEPARTMENT OF ENERGY. RECIPIENT SHALL NOT PUBLISH THE INFORMATION WITHIN UNLESS GRANTED SPECIFIC PERMISSION OF STANFORD UNIVERSITY.</small>		HPS Front End High Voltage Flange Board TOP LEVEL
<small>ENGR</small>	<small>DATE</small>	<small>APPROVALS</small>
Benjamin Reese	2014	
<small>DFTR</small>		
<small>CHKD</small>		
		LOCATED AT SHEET 1
		SD-249-901-15-C00



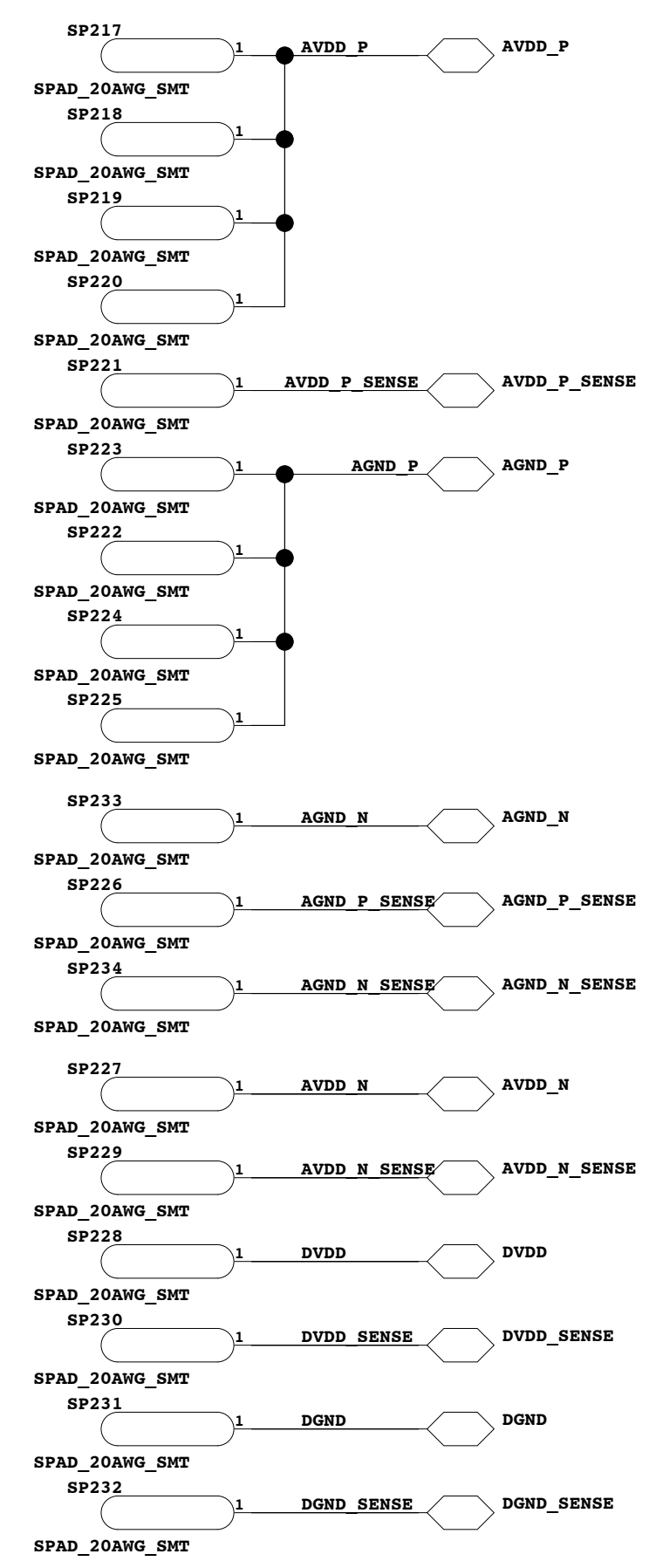
20/03/2014:13:35

SLAC NATIONAL ACCELERATOR LABORATORY U.S. DEPARTMENT OF ENERGY <small>STANFORD UNIVERSITY STANFORD, CALIFORNIA</small>		SHEET 12 OF 21
<small>PROPRIETARY DATA OF STANFORD UNIVERSITY AND/OR U.S. DEPARTMENT OF ENERGY. RECIPIENT SHALL NOT PUBLISH THE INFORMATION WITHIN UNLESS GRANTED SPECIFIC PERMISSION OF STANFORD UNIVERSITY.</small>		HPS Front End High Voltage Flange Board TOP LEVEL
<small>ENGR</small>	<small>DATE</small>	<small>APPROVALS</small>
Benjamin Reese	2014	
<small>DFTR</small>		
<small>CHKD</small>		
		LOCATED AT SHEET 1 SD-249-901-15-C00



20/03/2014:13:35

SLAC NATIONAL ACCELERATOR LABORATORY U.S. DEPARTMENT OF ENERGY <small>STANFORD UNIVERSITY STANFORD, CALIFORNIA</small>		SHEET 17 OF 21 HPS Front End High Voltage Flange Board TOP LEVEL
<small>PROPRIETARY DATA OF STANFORD UNIVERSITY AND/OR U.S. DEPARTMENT OF ENERGY. RECIPIENT SHALL NOT PUBLISH THE INFORMATION WITHIN UNLESS GRANTED SPECIFIC PERMISSION OF STANFORD UNIVERSITY.</small>		LOCATED AT SHEET 1 SD-249-901-15-C00
<small>ENGR</small>	<small>DATE</small>	
Benjamin Reese	2014	
<small>DATE</small>	<small>APPROVALS</small>	
<small>CHKD</small>		



20/03/2014:13:35

SLAC NATIONAL ACCELERATOR LABORATORY U.S. DEPARTMENT OF ENERGY <small>STANFORD UNIVERSITY STANFORD, CALIFORNIA</small>	
<small>PROPRIETARY DATA OF STANFORD UNIVERSITY AND/OR U.S. DEPARTMENT OF ENERGY. RECIPIENT SHALL NOT PUBLISH THE INFORMATION WITHIN UNLESS GRANTED SPECIFIC PERMISSION OF STANFORD UNIVERSITY.</small>	
<small>ENGR</small>	<small>APPROVALS</small>
Benjamin Reese	
<small>DATE</small>	
2014	
<small>CHKD</small>	

SHEET 13 OF 21

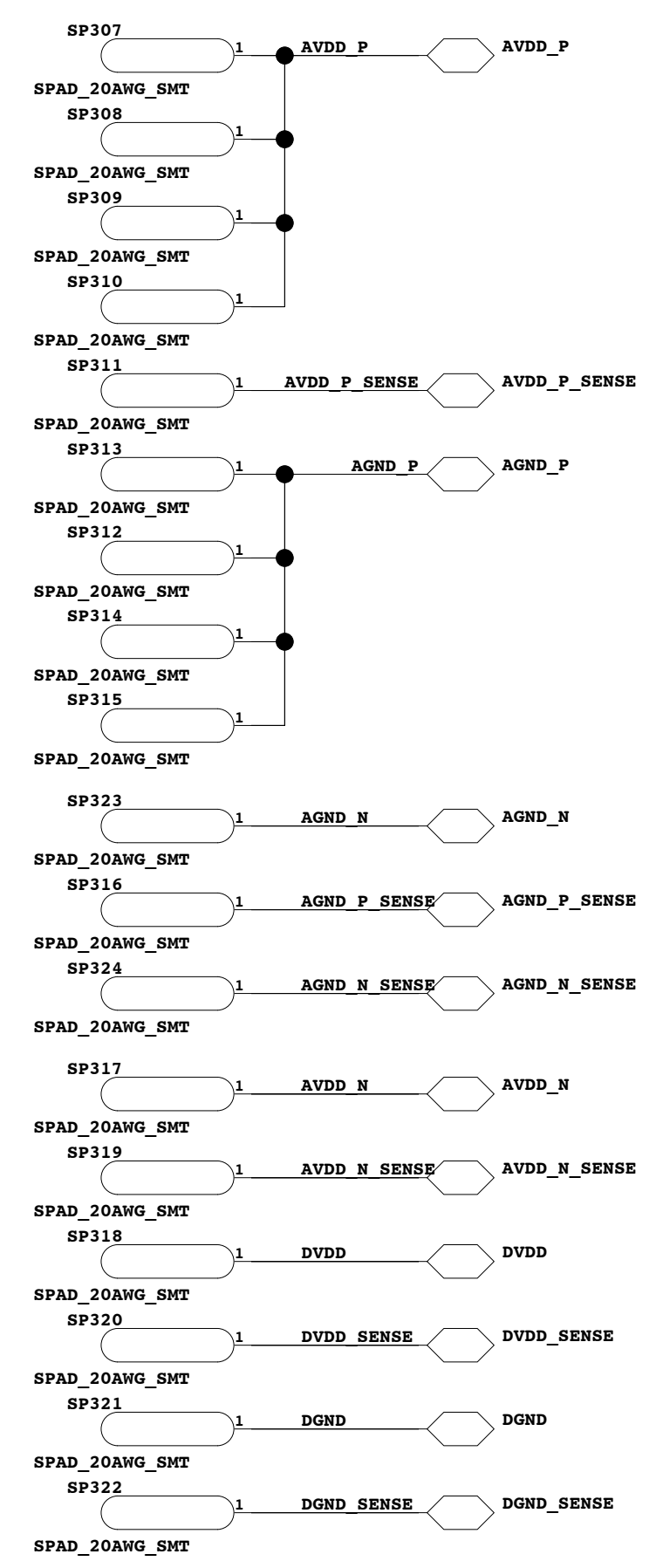
HPS Front End High Voltage Flange Board

TOP LEVEL

LOCATED AT SHEET 1

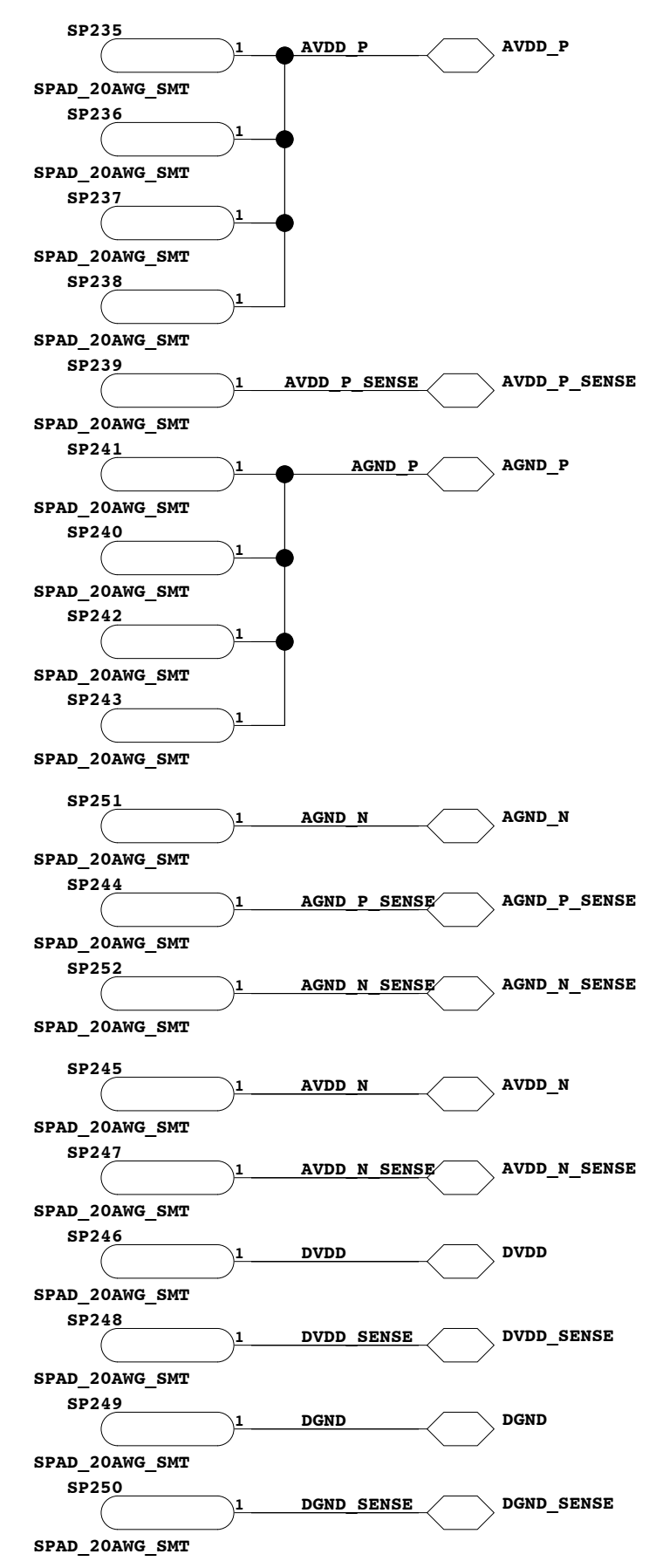
SD-249-901-15-C00

D



20/03/2014:13:35

SLAC NATIONAL ACCELERATOR LABORATORY U.S. DEPARTMENT OF ENERGY <small>STANFORD UNIVERSITY STANFORD, CALIFORNIA</small>		SHEET 18 OF 21
<small>PROPRIETARY DATA OF STANFORD UNIVERSITY AND/OR U.S. DEPARTMENT OF ENERGY. RECIPIENT SHALL NOT PUBLISH THE INFORMATION WITHIN UNLESS GRANTED SPECIFIC PERMISSION OF STANFORD UNIVERSITY.</small>		HPS Front End High Voltage Flange Board TOP LEVEL
<small>ENGR</small> Benjamin Reese	<small>DATE</small> 2014	<small>APPROVALS</small>
<small>DATE</small>		
<small>CHKD</small>		
		LOCATED AT SHEET 1
		SD-249-901-15-C00
		D



20/03/2014:13:35

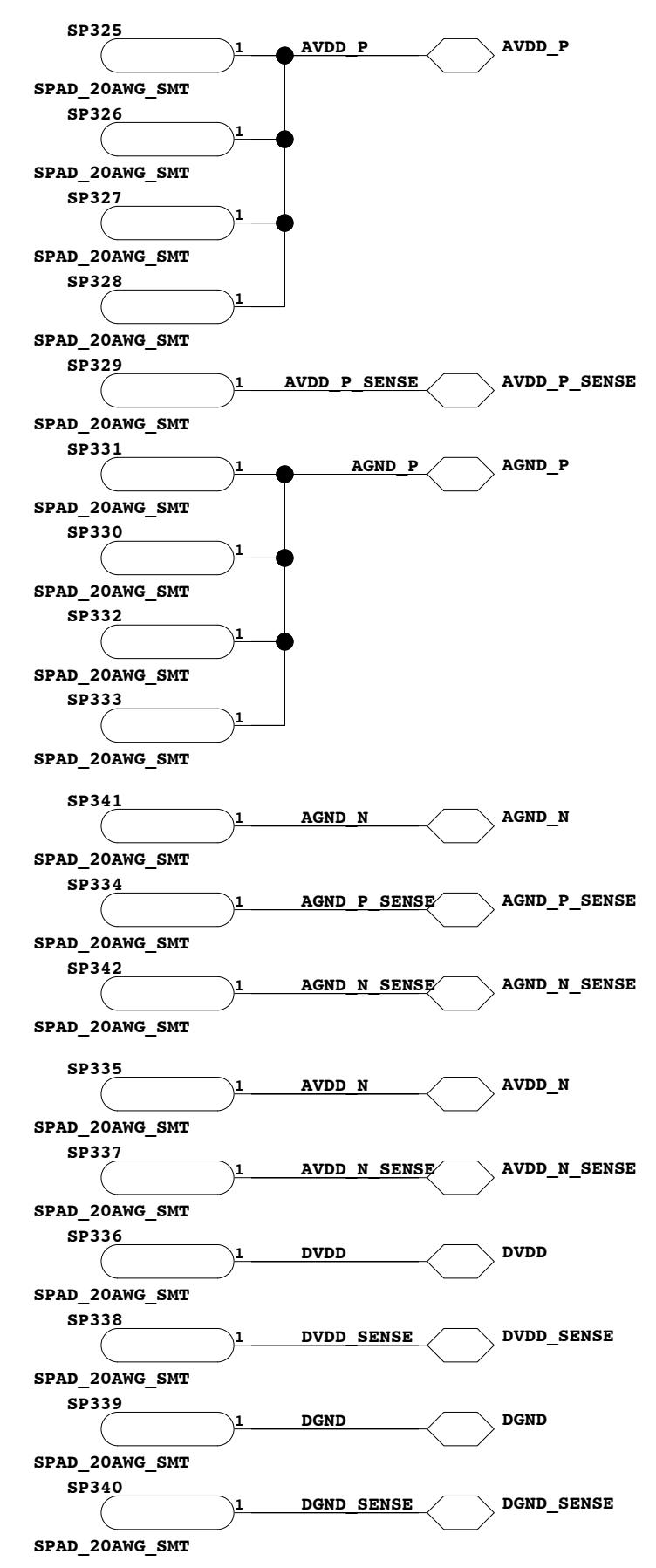
SLAC NATIONAL ACCELERATOR LABORATORY U.S. DEPARTMENT OF ENERGY		
STANFORD UNIVERSITY	STANFORD, CALIFORNIA	
PROPRIETARY DATA OF STANFORD UNIVERSITY AND/OR U.S. DEPARTMENT OF ENERGY. RECIPIENT SHALL NOT PUBLISH THE INFORMATION WITHIN UNLESS GRANTED SPECIFIC PERMISSION OF STANFORD UNIVERSITY.		
ENGR	DATE	APPROVALS
Benjamin Reese	2014	
DPR		
CHKD		

SHEET 14 OF 21

HPS Front End High Voltage Flange Board
TOP LEVEL

LOCATED AT SHEET 1

SD-249-901-15-C00



20/03/2014:13:35

SLAC NATIONAL ACCELERATOR LABORATORY U.S. DEPARTMENT OF ENERGY <small>STANFORD UNIVERSITY STANFORD, CALIFORNIA</small>	
<small>PROPRIETARY DATA OF STANFORD UNIVERSITY AND/OR U.S. DEPARTMENT OF ENERGY. RECIPIENT SHALL NOT PUBLISH THE INFORMATION WITHIN UNLESS GRANTED SPECIFIC PERMISSION OF STANFORD UNIVERSITY.</small>	
<small>ENGR</small>	<small>APPROVALS</small>
Benjamin Reese	
<small>DATE</small>	
2014	
<small>CHKD</small>	

SHEET 19 OF 21

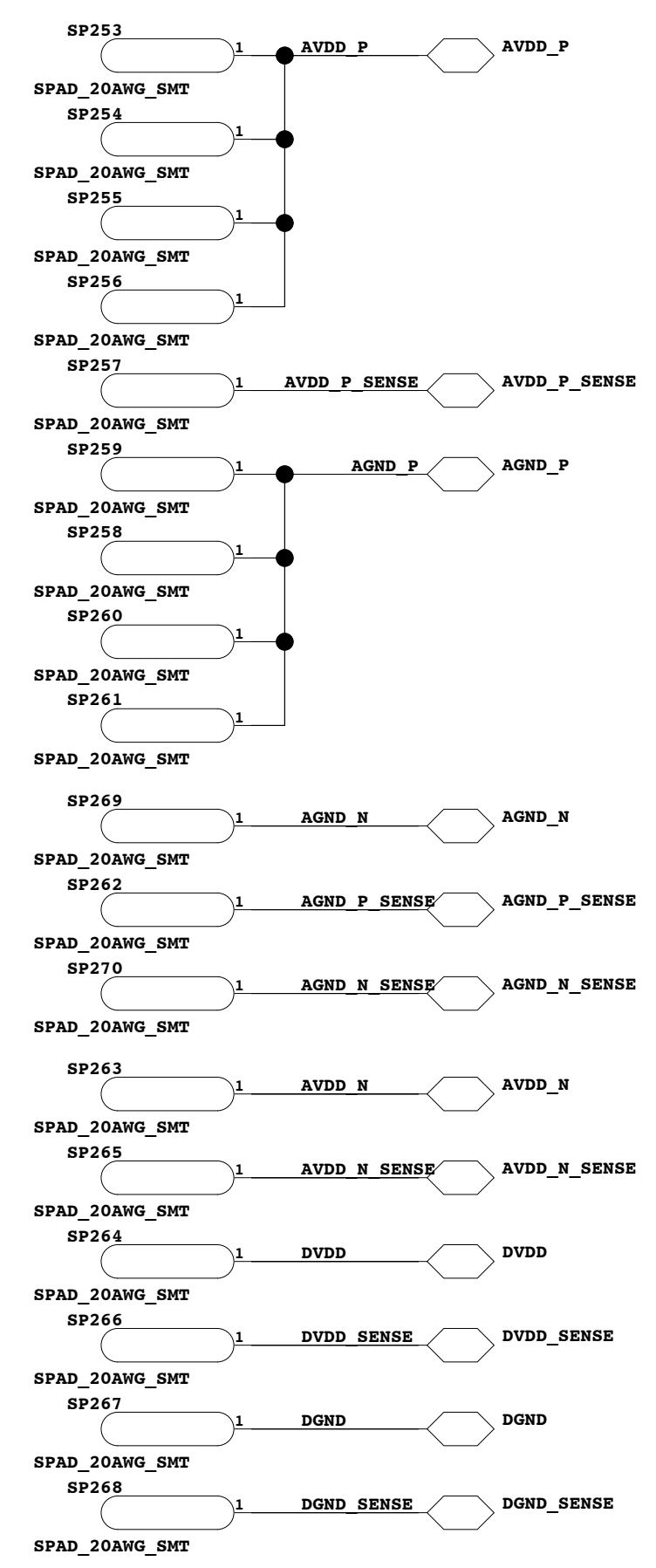
HPS Front End High Voltage Flange Board

TOP LEVEL

LOCATED AT SHEET 1

SD-249-901-15-C00

D



20/03/2014:13:35

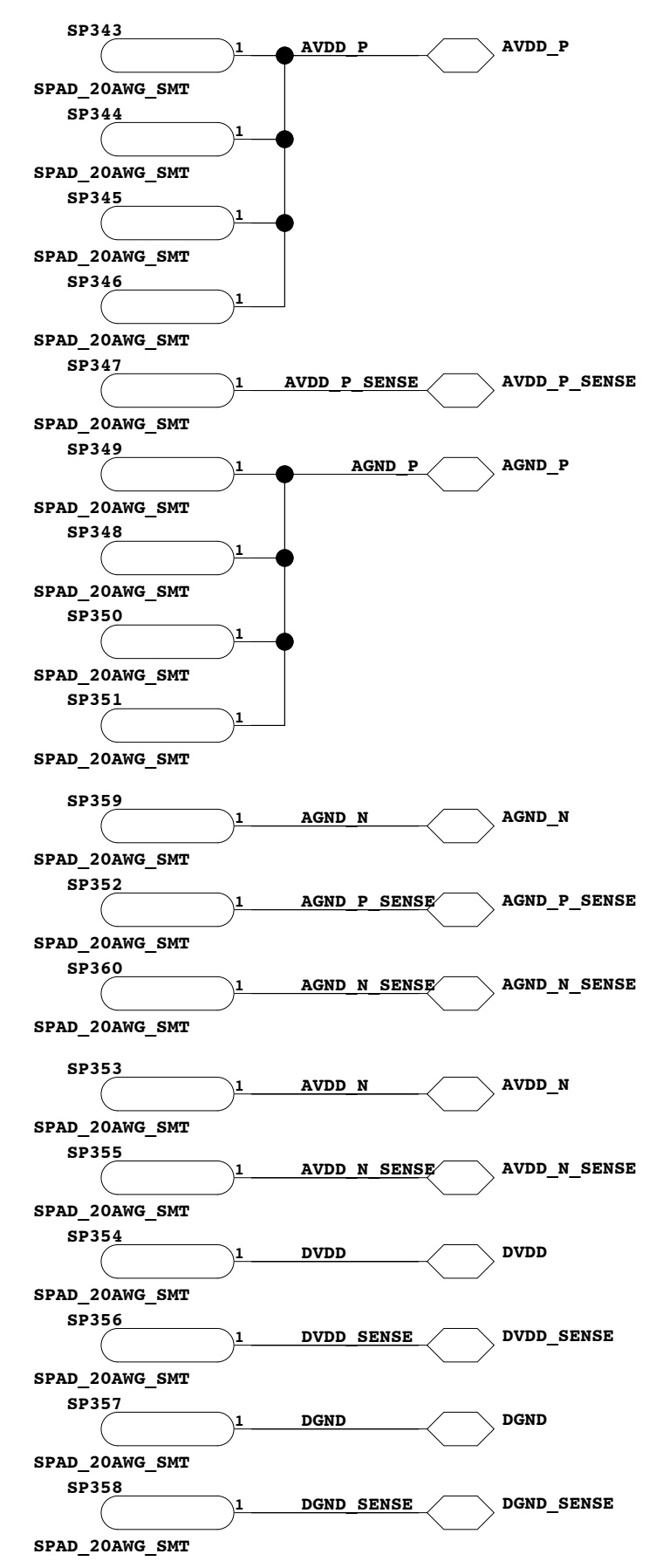
SLAC NATIONAL ACCELERATOR LABORATORY U.S. DEPARTMENT OF ENERGY		
STANFORD UNIVERSITY		STANFORD, CALIFORNIA
PROPRIETARY DATA OF STANFORD UNIVERSITY AND/OR U.S. DEPARTMENT OF ENERGY. RECIPIENT SHALL NOT PUBLISH THE INFORMATION WITHIN UNLESS GRANTED SPECIFIC PERMISSION OF STANFORD UNIVERSITY.		
ENGR	DATE	APPROVALS
Benjamin Reese	2014	
SPER		
CHKD		

SHEET 15 OF 21

**HPS Front End High Voltage Flange Board
TOP LEVEL**

LOCATED AT SHEET 1

SD-249-901-15-C00



20/03/2014:13:35

SLAC NATIONAL ACCELERATOR LABORATORY U.S. DEPARTMENT OF ENERGY <small>STANFORD UNIVERSITY STANFORD, CALIFORNIA</small>	
<small>PROPRIETARY DATA OF STANFORD UNIVERSITY AND/OR U.S. DEPARTMENT OF ENERGY. RECIPIENT SHALL NOT PUBLISH THE INFORMATION WITHIN UNLESS GRANTED SPECIFIC PERMISSION OF STANFORD UNIVERSITY.</small>	
<small>ENGR</small>	<small>APPROVALS</small>
Benjamin Reese	
<small>DATE</small>	
2014	
<small>CHKD</small>	

SHEET 20 OF 21

HPS Front End High Voltage Flange Board

TOP LEVEL

LOCATED AT SHEET 1

SD-249-901-15-C00

D