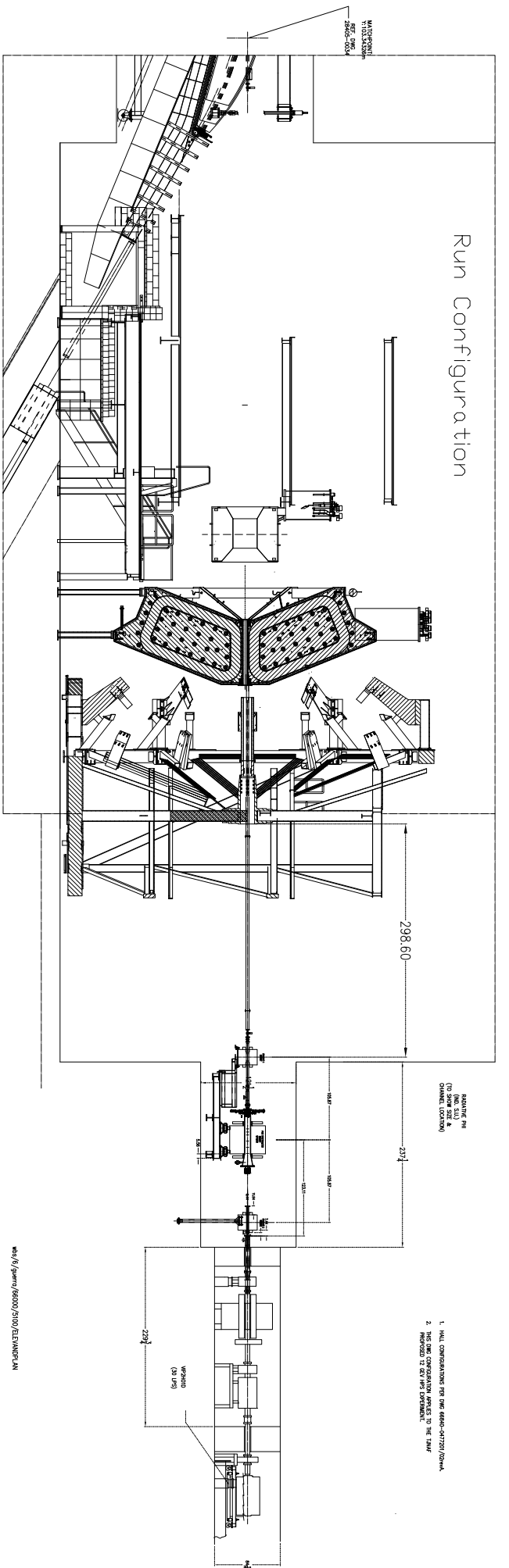


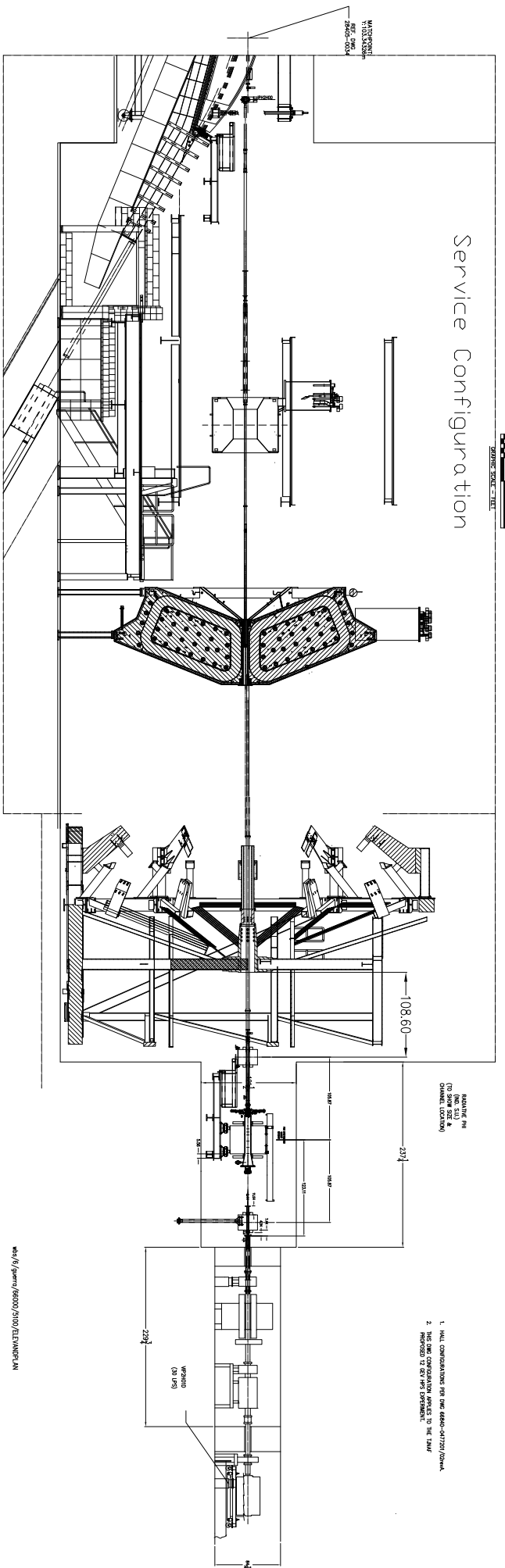
Run Configuration



1. HALL COMPARISON FOR ONE 6680-01720/020WA
2. THIS ONE COMPARISON APPLICABLE TO THE MAIN PROPOSED 12 SEVEN DEPARTMENT

WATER TOWER
REF. DIM. 2645-000

Service Configuration



1. HALL COMPARISON FOR ONE 6680-01720/020WA
2. THIS ONE COMPARISON APPLICABLE TO THE MAIN PROPOSED 12 SEVEN DEPARTMENT

WATER TOWER
REF. DIM. 2645-000

WATER TOWER
REF. DIM. 2645-000