

DWG 66840-D-03357  
3LE BARS:  
STARTUP

in  
in  
out  
out  
out  
out

DWG 66840-D-03357  
(2) REQUIRED

**PS converter/target**

DWG 66840-D-03357

105.69

78.00

DOUBLE SIDED  
4-1/2 CF FLG.  
w/ STUDS IN HPS  
VACUUM BOX US END

PAIR SPECTROMETER  
DWG 66840-E-03402

52.45

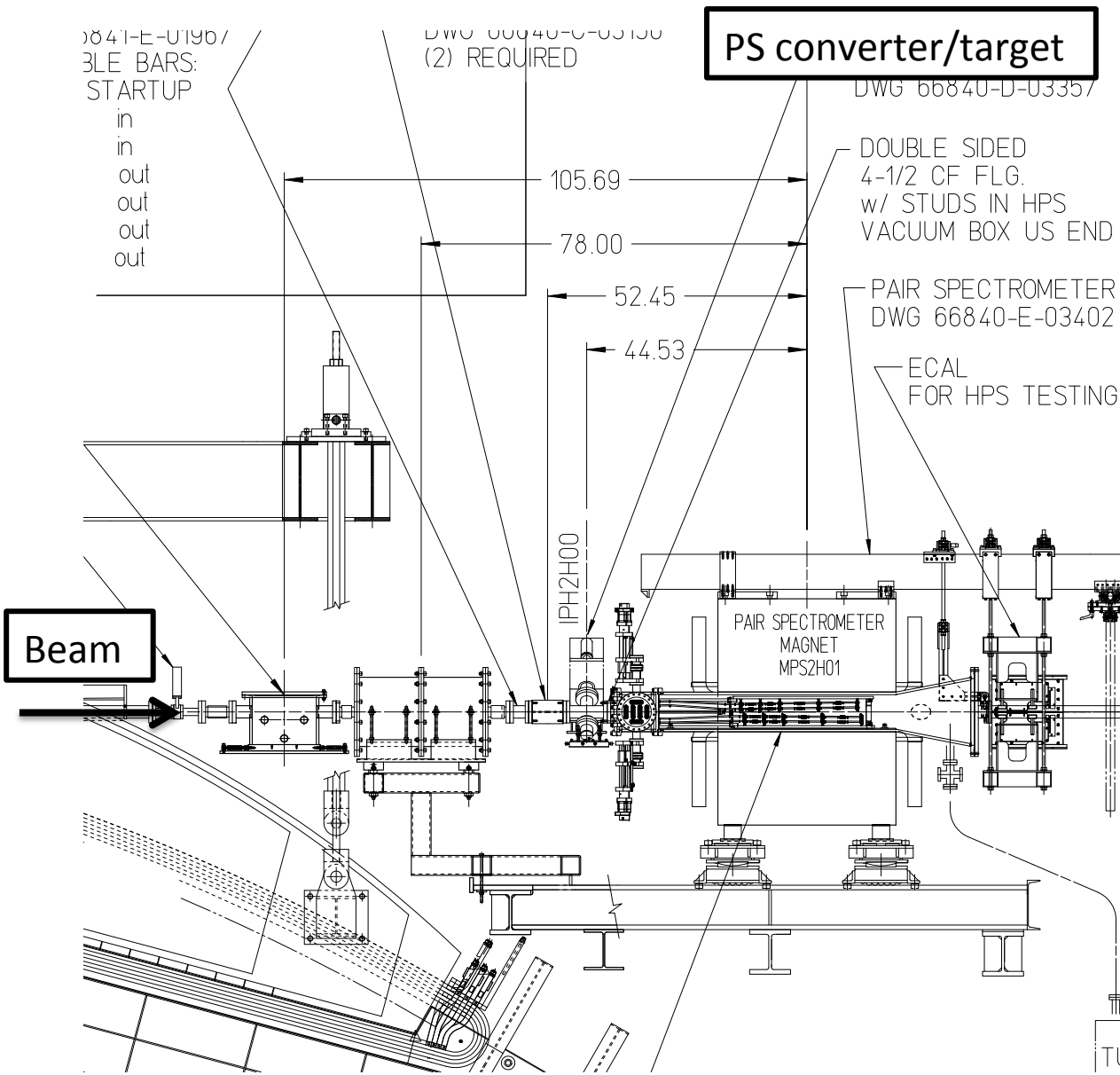
44.53

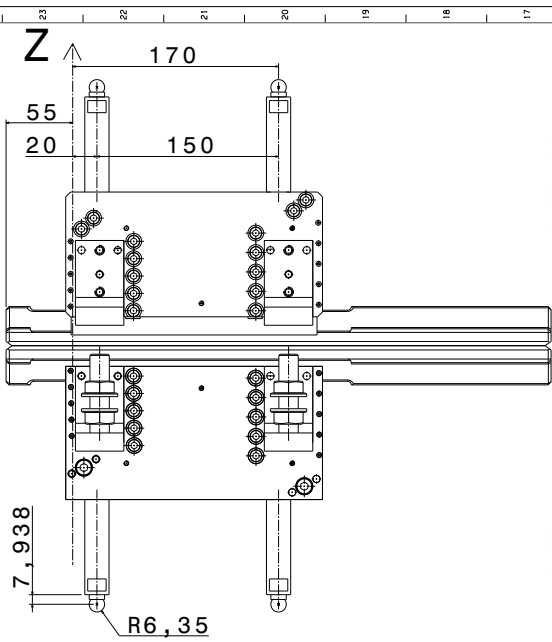
ECAL  
FOR HPS TESTING

IPH2H00

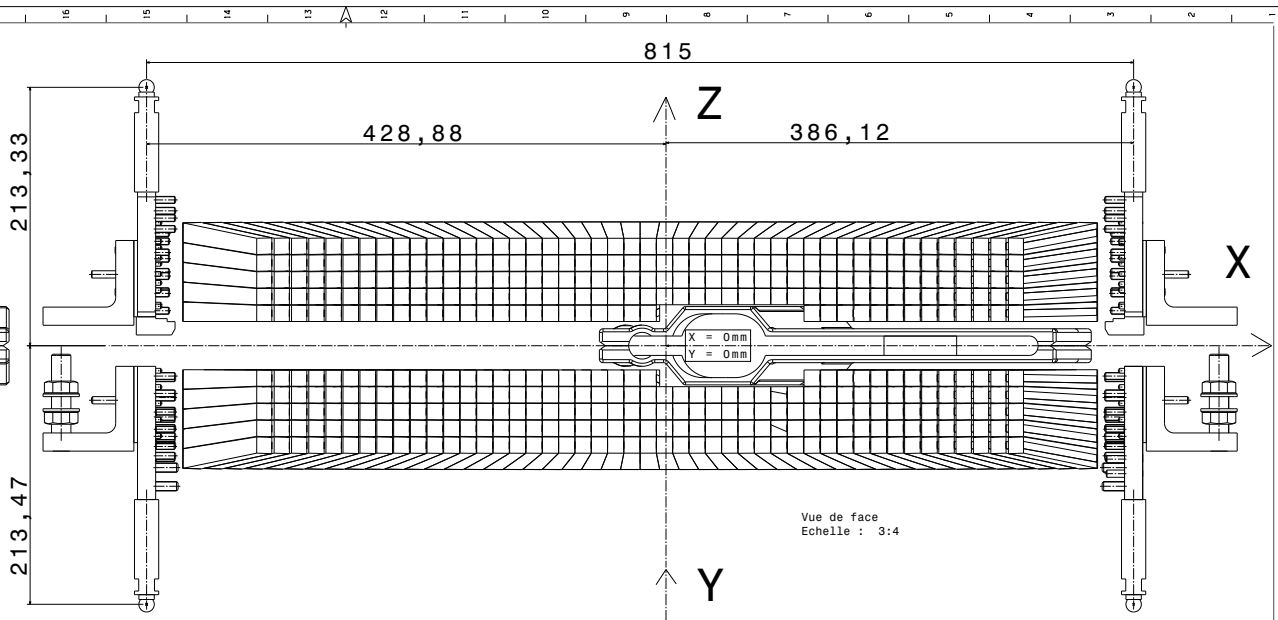
PAIR SPECTROMETER  
MAGNET  
MPS2H01

**Beam**





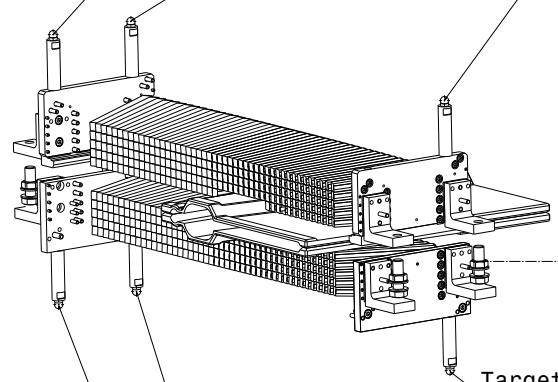
Vue de droite  
Echelle : 3:4



Vue de face  
Echelle : 3:4

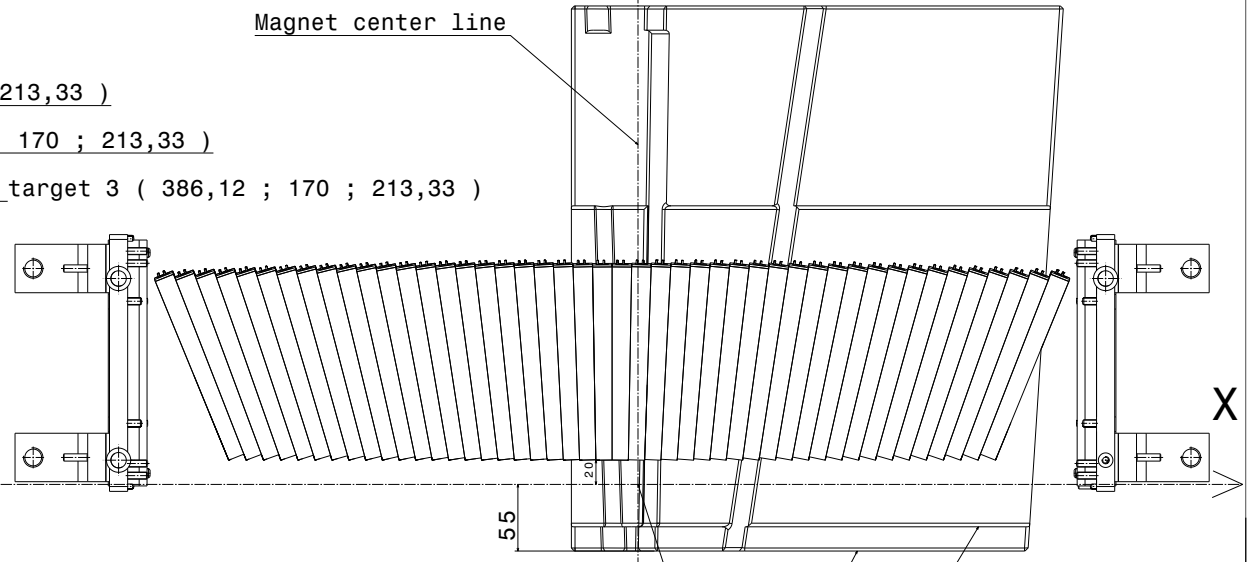
Magnet center line

- Target 1 ( -428,88 ; 20 ; 213,33 )
- Target 2 ( -428,88 ; 170 ; 213,33 )
- target 3 ( 386,12 ; 170 ; 213,33 )



Vue isométrique  
Echelle : 2:5

- Target 5 ( -428,88 ; 170 ; -213,47 )
- Target 4 ( -428,88 , 20 , -213,47 )
- Target 6 ( 386,12 ; 170 , -213,47 )



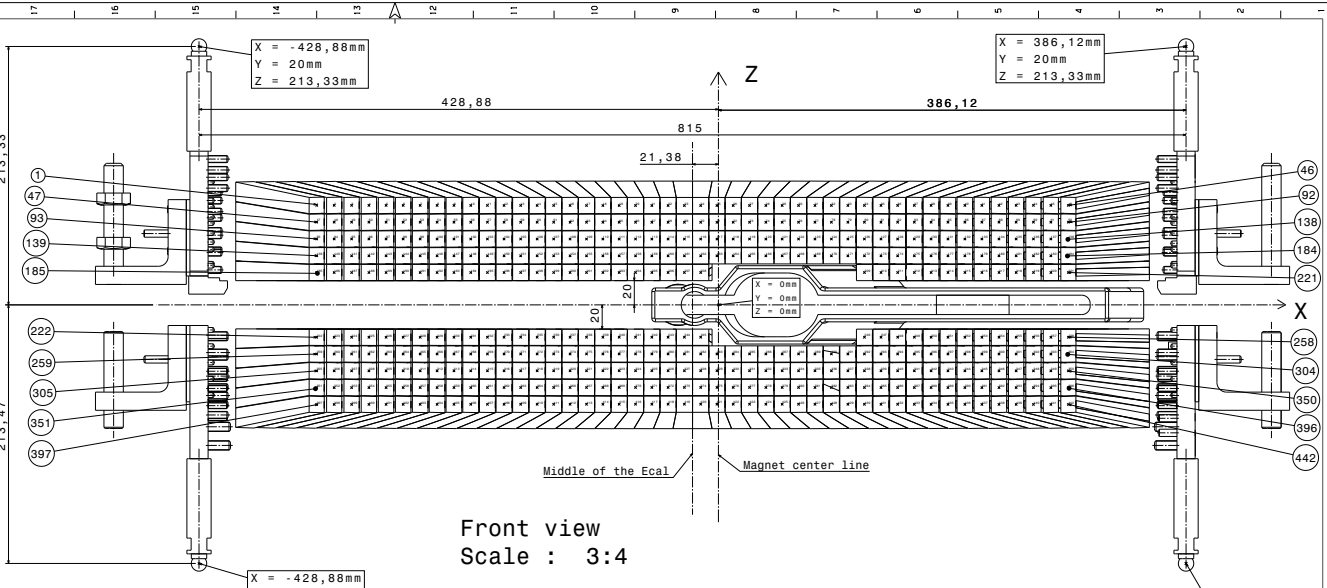
Vue de dessus  
Echelle : 3:4

Front face of front flange  
Back face of front flange

Release : may 2012

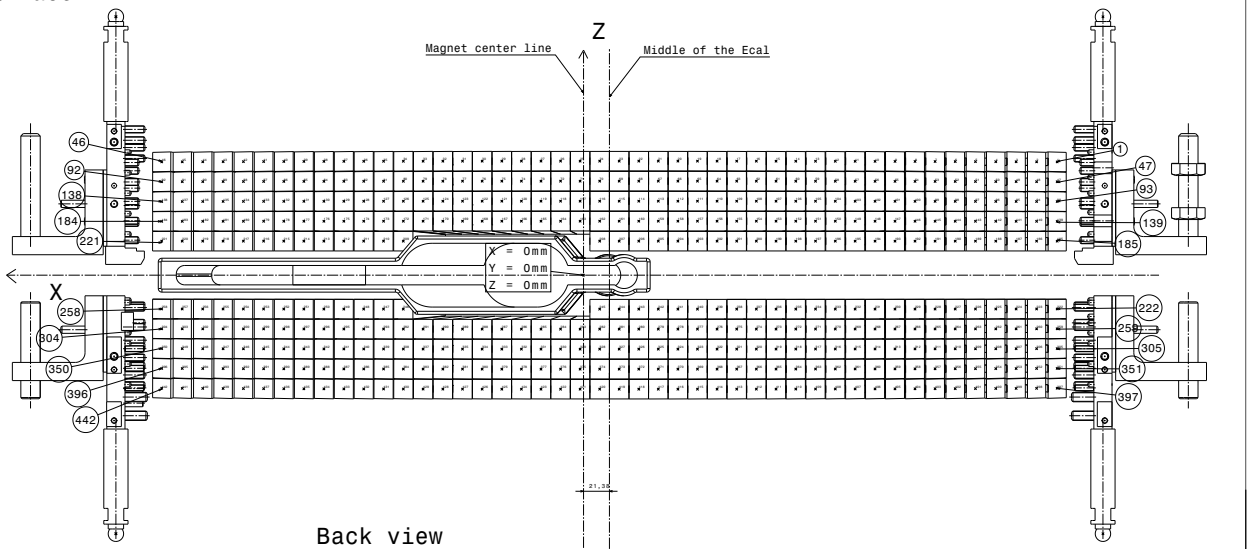
|   |    |    |                                     |
|---|----|----|-------------------------------------|
| 05/12   | ER | PR | CATIA V5                            |
| 05/12   | ER | PR | CATIA V5                            |
| SERVICE MÉCANIQUE ET DÉVELOPPEMENT INFORMATIQUE<br>INSTITUT DE PHYSIQUE NUCLEAIRE - BP446 91191 ORSAY CEDEX |    |    |                                     |
| <b>HPS</b><br>Plan survey<br>target positioning   |    |    | PROJET<br>231 E 20<br>INFLPLAN 1/11 |

| 24                  | 23                  | 22                  | 21                  | 20                  | 19                  | 18                  | 17                  | 16                  | 15                  | 14                  | 13                  | 12                  | 11                  | 10                  | 9                   | 8                   | 7                   | 6                   | 5                   | 4                   | 3                   | 2                   |                     |
|---------------------|---------------------|---------------------|---------------------|---------------------|---------------------|---------------------|---------------------|---------------------|---------------------|---------------------|---------------------|---------------------|---------------------|---------------------|---------------------|---------------------|---------------------|---------------------|---------------------|---------------------|---------------------|---------------------|---------------------|
| 471-3311-7727-49-25 | 471-3311-7727-49-25 | 471-3311-7727-49-25 | 471-3311-7727-49-25 | 471-3311-7727-49-25 | 471-3311-7727-49-25 | 471-3311-7727-49-25 | 471-3311-7727-49-25 | 471-3311-7727-49-25 | 471-3311-7727-49-25 | 471-3311-7727-49-25 | 471-3311-7727-49-25 | 471-3311-7727-49-25 | 471-3311-7727-49-25 | 471-3311-7727-49-25 | 471-3311-7727-49-25 | 471-3311-7727-49-25 | 471-3311-7727-49-25 | 471-3311-7727-49-25 | 471-3311-7727-49-25 | 471-3311-7727-49-25 | 471-3311-7727-49-25 | 471-3311-7727-49-25 | 471-3311-7727-49-25 |



Front view  
Scale : 3:4

Crystals centers  
front face



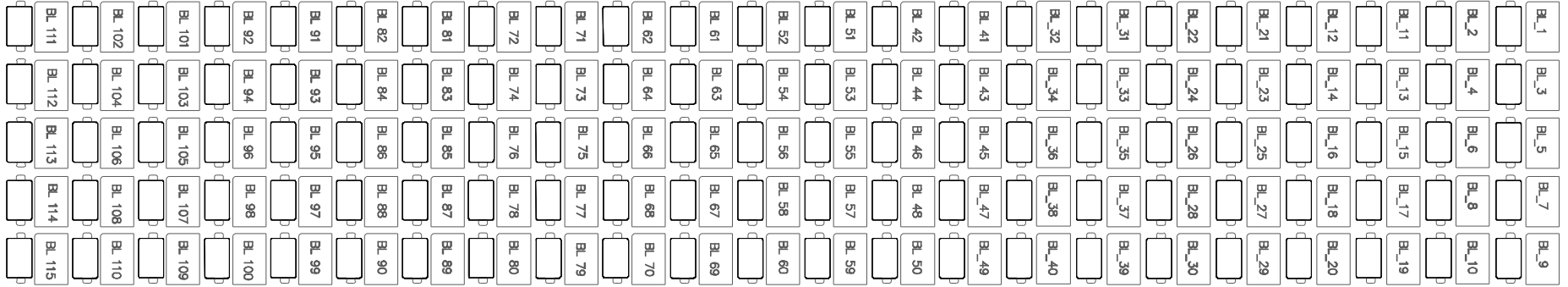
Back view  
Scale : 3:4

Crystals centers  
Back face

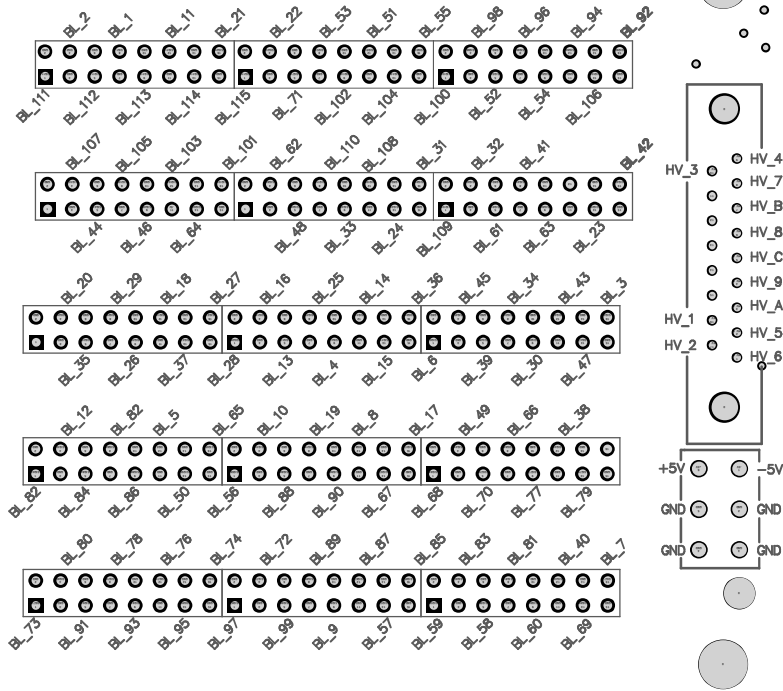
|  |   |      |             |                |
|--|---|------|-------------|----------------|
|  | 03/12   | ER   | PR          | CATIA VS       |
|  | if assemblee                                      | Etat | Designé par | Validité par   |
|  | <b>HPS</b><br>Plan survey<br>Crystals positioning |      |             |                |
|  | PROJET<br>231 E 21                                |      |             | INPLAUR<br>1/1 |



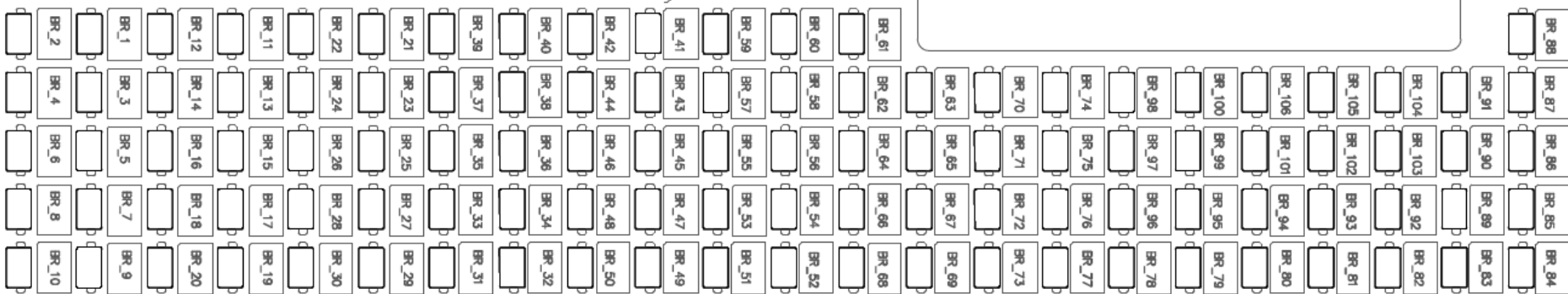
## Bottom Left Motherboard



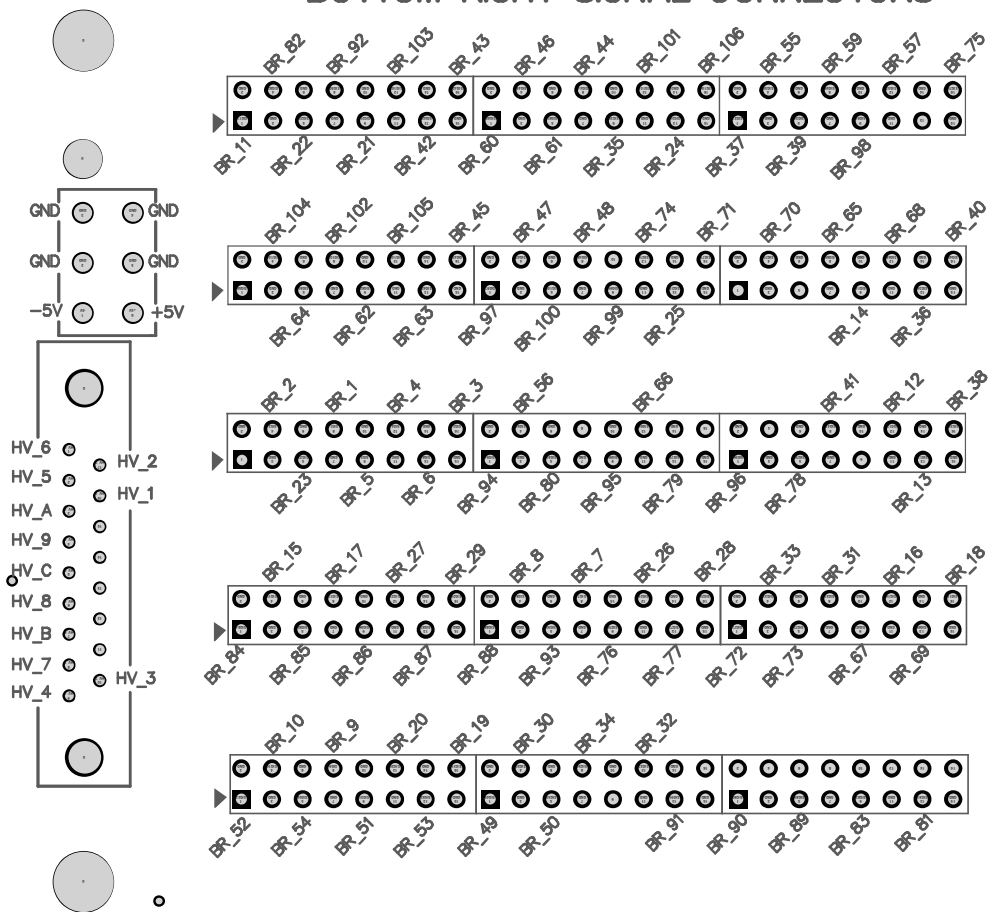
## BOTTOM LEFT SIGNAL CONNECTORS



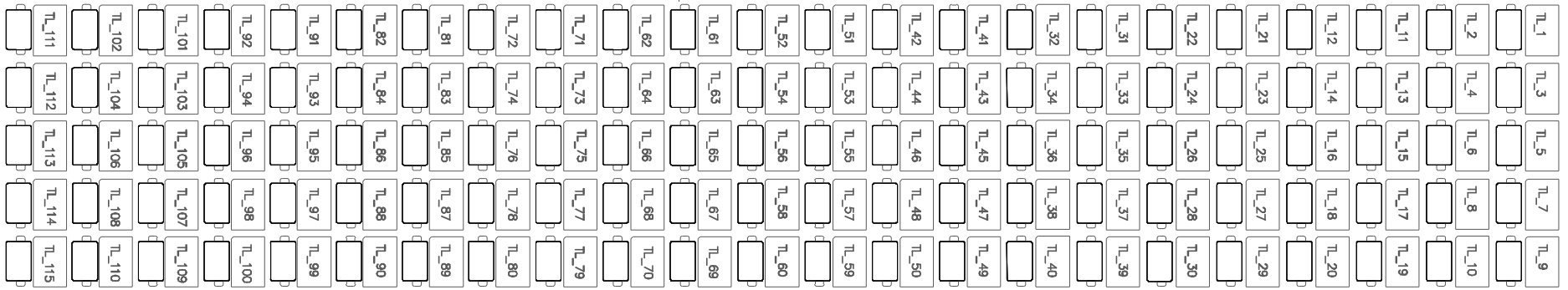
# Bottom Right Motherboard



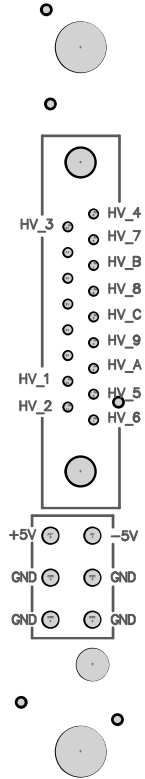
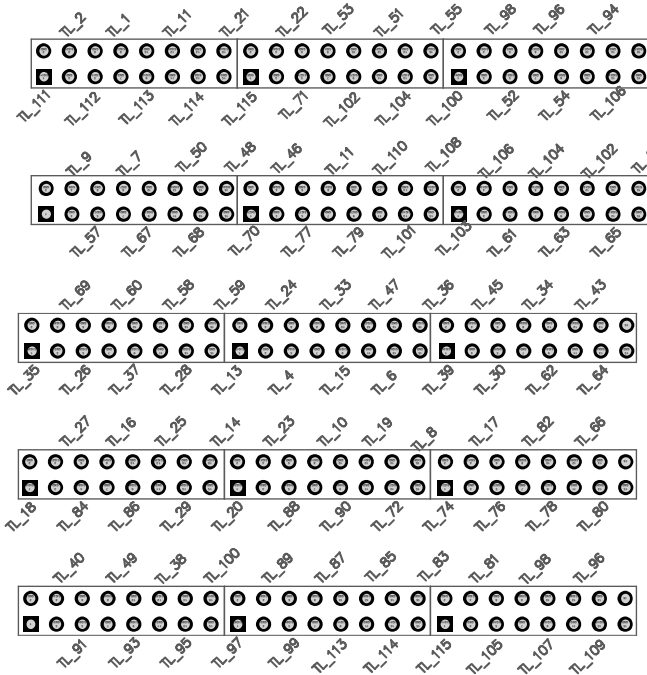
## BOTTOM RIGHT SIGNAL CONNECTORS



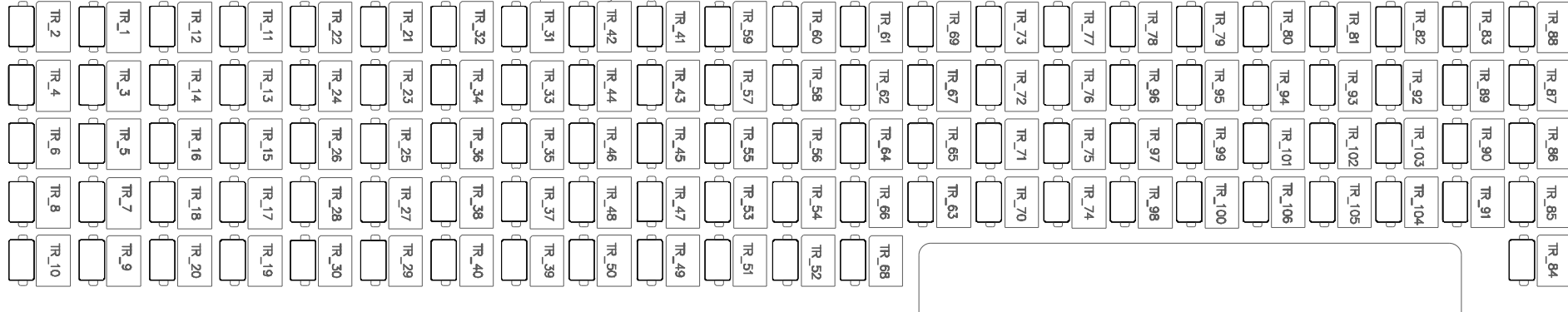
# Top Left Motherboard



## TOP LEFT SIGNAL CONNECTORS



Top Right Motherboard



TOP RIGHT SIGNAL CONNECTORS

