



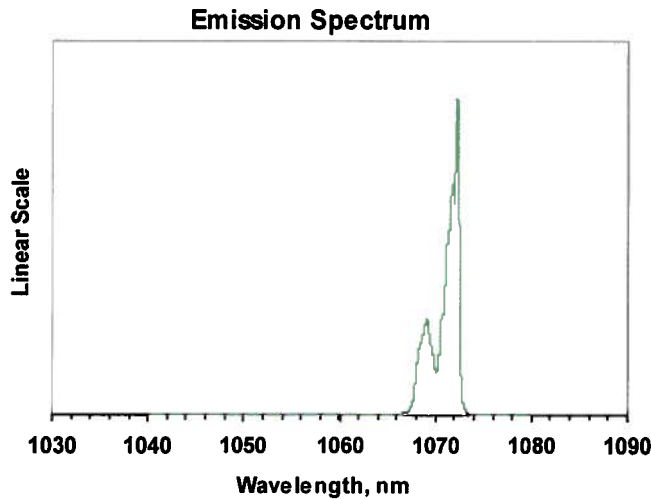
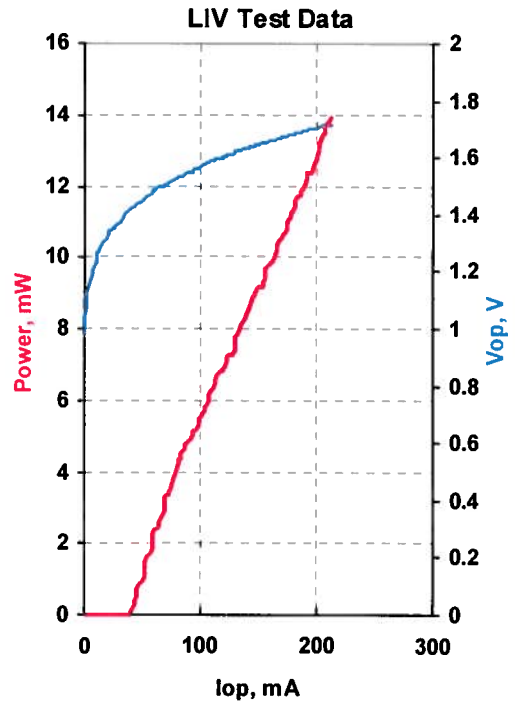
# QPHOTONICS, LLC

3830 Packard Road,  
Suite 280,  
Ann Arbor, MI 48108,  
USA

Phone: 734-477-0133  
Fax: 734-477-0166  
Email: info@qphotonics.com  
http://www.qphotonics.com

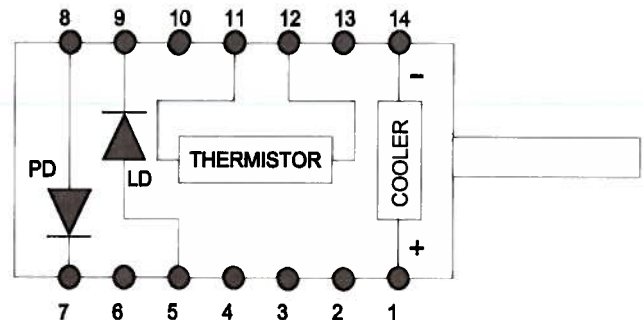
<b>MODEL</b>	QFLD-1060-10S
<b>PART NUMBER</b>	04.04.56

Parameter	Value	Units
Internal Temperature	25	°C
Thermistor Resistance	10.0	kΩ
Optical Output Power	10	mW
Threshold Current	42	mA
Operating Current	162	mA
Operating Voltage	1.66	V
Monitor Current	2.22	mA
Monitor Dark Current	0	nA
Center Wavelength	1071.5	nm
Spectral Width	2.74	nm



<b>Fiber Type</b>	HI1060
<b>NA</b>	0.14
<b>Connector</b>	FC/PC

Pin	Connection
1	TE Cooler (+)
5	LD Anode (+)
7	PD Cathode (+)
8	PD Anode (-)
9	LD Cathode (-)
11	Thermistor
12	Thermistor
14	TE Cooler (-)



<b>Operator</b>	RL
<b>Date</b>	11/17/2009

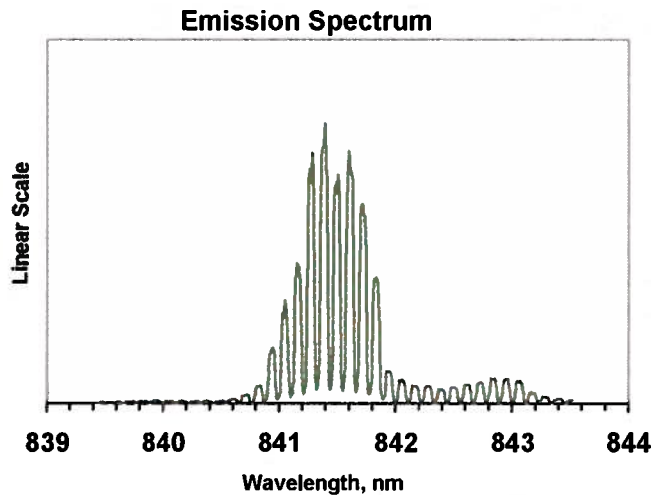
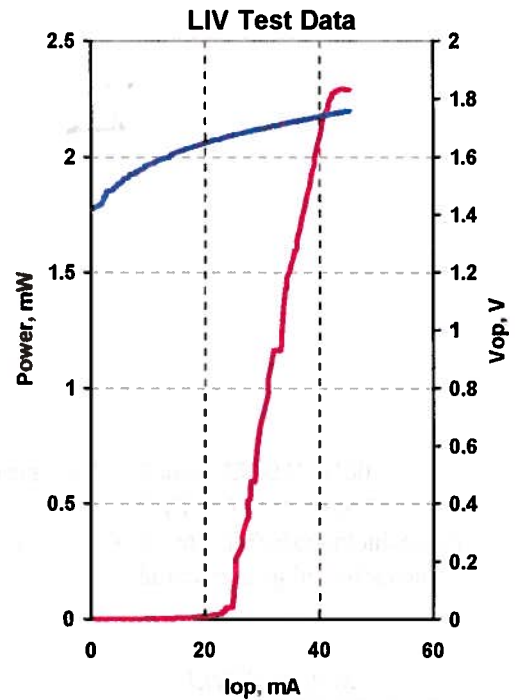


# QPHOTONICS, LLC

1435 Crossways Blvd Phone: 757-213-0560  
 Ste: 101 FAX: 757-213-0563  
 Chesapeake, VA 23320 E-mail: info@qphotonics.com  
 USA http://www.qphotonics.com

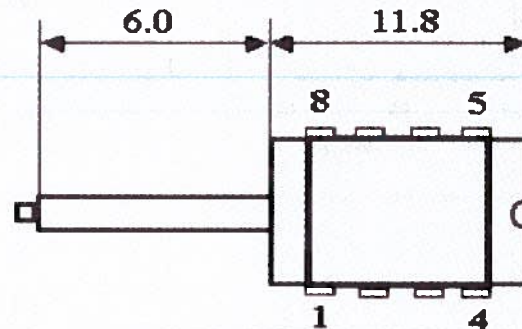
<b>MODEL</b>	QFLD-840-2SM
<b>PART NUMBER</b>	02.06.40

Parameter	Value	Units
Optical Output Power	2	mW
Threshold Current	23	mA
Operating Current	42	mA
Operating Voltage	1.74	V
Monitor Current	0.08	mA
Monitor Dark Current	0	nA
Center Wavelength	842	nm
Spectral Width	1.2	nm



<b>Fiber Type</b>	SM800
<b>NA</b>	0.14
<b>Connector</b>	FC/PC

Pin	Connection
1	NC
2	LD Anode (+)
3	NC
4	PD Cathode (+)
5	PD Anode (-)
6	LD Cathode (-)
7	NC
8	NC



<b>Operator</b>	AK
<b>Date</b>	9/11/2006

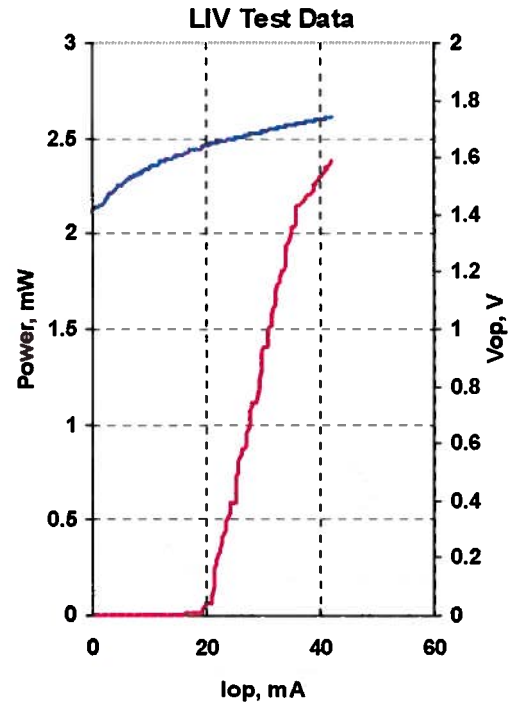


**QPHOTONICS, LLC**

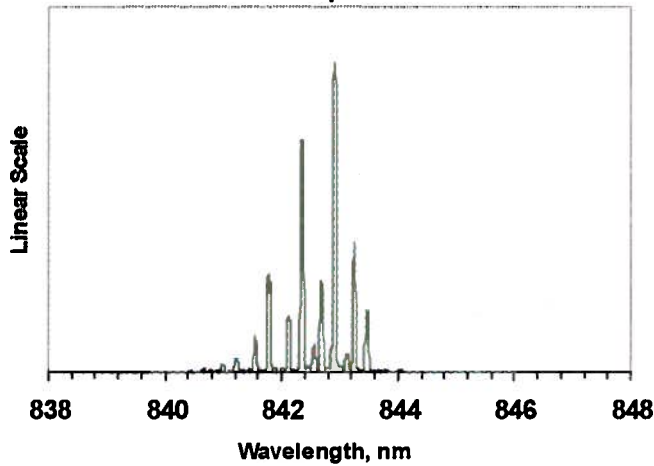
1435 Crossways Blvd Phone: 757-213-0560  
 Ste: 101 FAX: 757-213-0563  
 Chesapeake, VA 23320 E-mail: info@qphotonics.com  
 USA http://www.qphotonics.com

<b>MODEL</b>	QFLD-840-2SM
<b>PART NUMBER</b>	02.06.39

Parameter	Value	Units
Optical Output Power	2	mW
Threshold Current	20	mA
Operating Current	40	mA
Operating Voltage	1.73	V
Monitor Current	0.09	mA
Monitor Dark Current	0	nA
Center Wavelength	843	nm
Spectral Width	1.11	nm

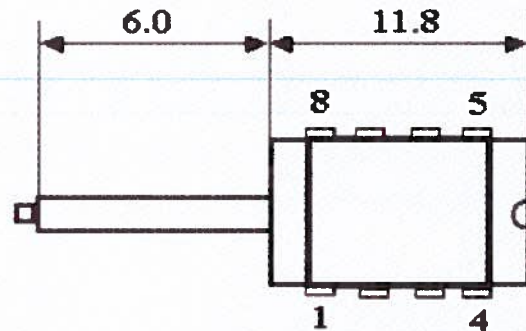


**Emission Spectrum**



<b>Fiber Type</b>	SM800
<b>NA</b>	0.14
<b>Connector</b>	FC/PC

Pin	Connection
1	NC
2	LD Anode (+)
3	NC
4	PD Cathode (+)
5	PD Anode (-)
6	LD Cathode (-)
7	NC
8	NC



**TOP VIEW**

<b>Operator</b>	AK
<b>Date</b>	9/11/2006