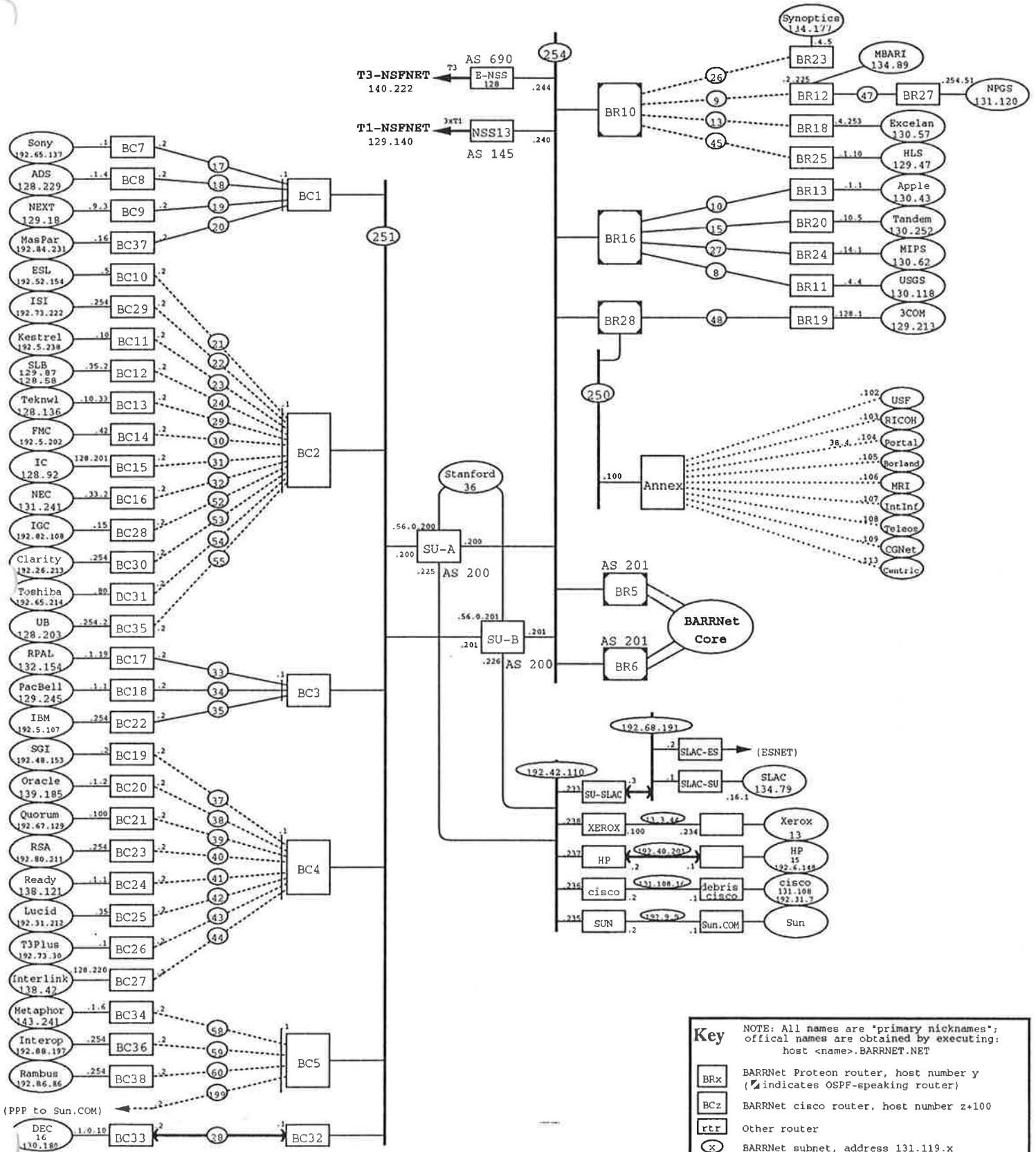


# BARRNet Network Map

NIC.BARRNET.NET:-ftp/barrnet/barrnet.ps

(page 2 of 2: Stanford hub detail)

14 February 1990



**Key**

NOTE: All names are "primary nicknames"; official names are obtained by executing: host <name>.BARRNET.NET

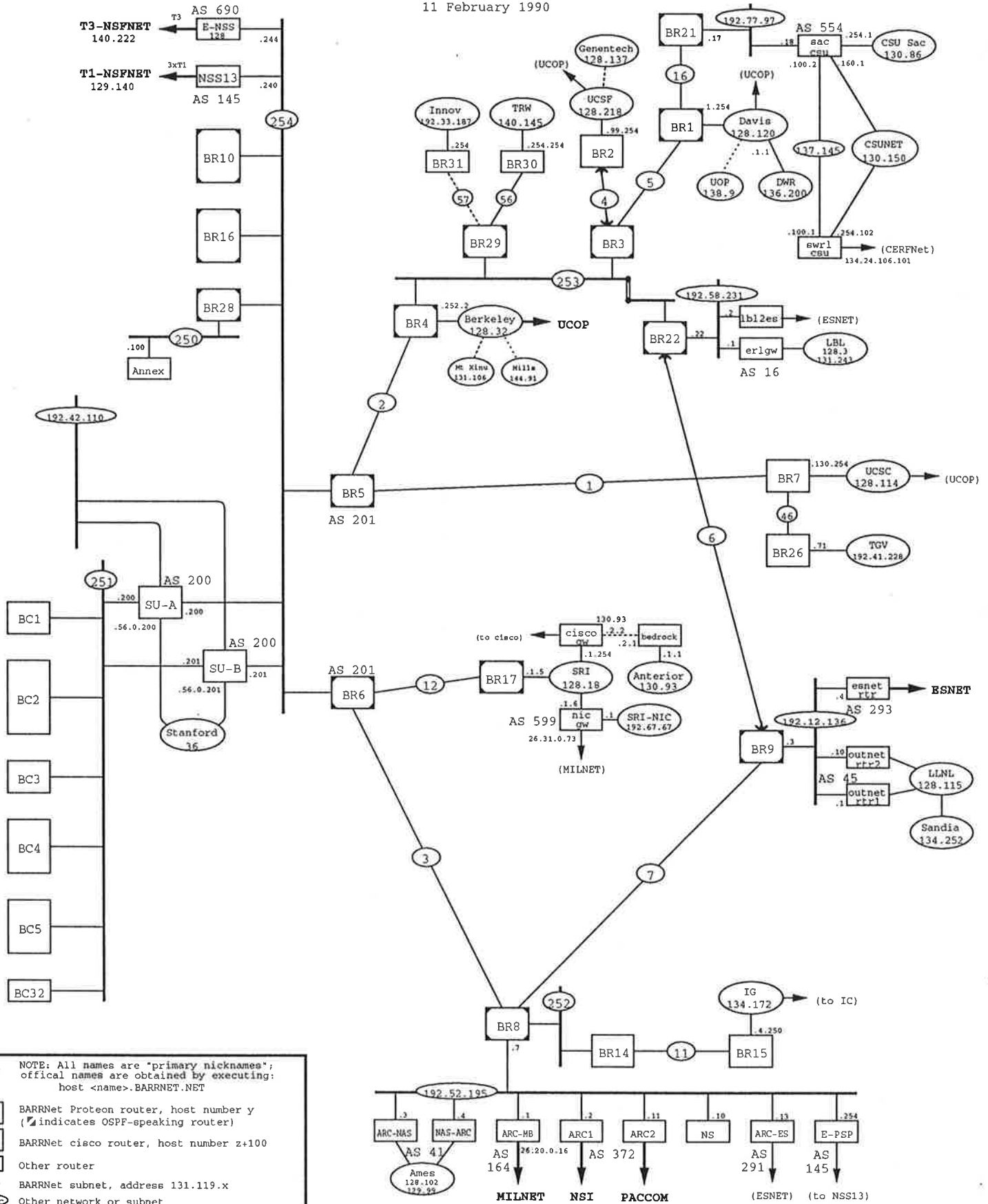
- BRx** BARRNet Proteon router, host number y (x indicates OSPF-speaking router)
- BCz** BARRNet cisco router, host number z+100
- rtr** Other router
- x** BARRNet subnet, address 131.119.x
- a.b.c** Other network or subnet
- Ethernet segment
- T-1 link
- 56KB link
- ..... low-speed link (9.6KB unless indicated)
- fiber half-repeater
- ⤴ microwave antenna
- ↔ CONNECTION to peer network
- ↔ backdoor connection

# BARRNet Network Map

NIC.BARRNET.NET:~ftp/barrnet/barrnet.ps

(page 1 of 2: core topology)

11 February 1990



**Key**

NOTE: All names are "primary nicknames"; official names are obtained by executing: host <name>.BARRNET.NET

- BRx BARRNet Proteon router, host number y (y indicates OSPF-speaking router)
- BCz BARRNet cisco router, host number z+100
- rtr Other router
- x BARRNet subnet, address 131.119.x
- a.b.c Other network or subnet
- Ethernet segment
- T-1 link
- ..... 56KB link
- ..... low-speed link (9.6KB unless indicated)
- fiber half-repeater
- ◀ microwave antenna
- connection to peer network
- backdoor connection