

9-24-2011\_0:08

SLAC NATIONAL ACCELERATOR LABORATORY  
U.S. DEPARTMENT OF ENERGY

STANFORD UNIVERSITY STANFORD, CALIFORNIA

PROPRIETARY DATA OF STANFORD UNIVERSITY AND/OR U.S. DEPARTMENT OF ENERGY. RECIPIENT SHALL NOT PUBLISH THE INFORMATION WITHIN UNLESS GRANTED SPECIFIC PERMISSION OF STANFORD UNIVERSITY.

ENGR	DATE	APPROVALS
Ryan Herbst	2010	
DFR		
CDR		

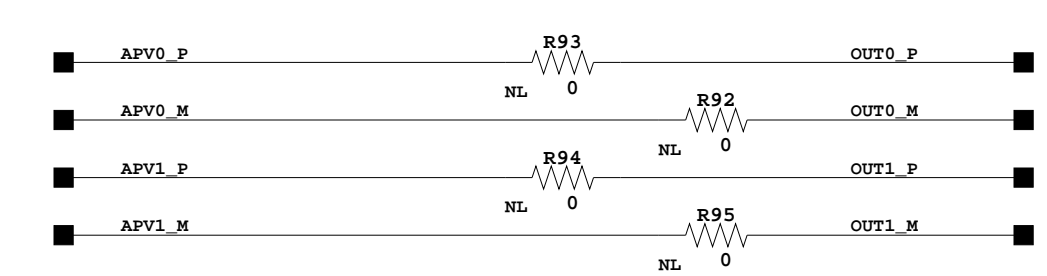
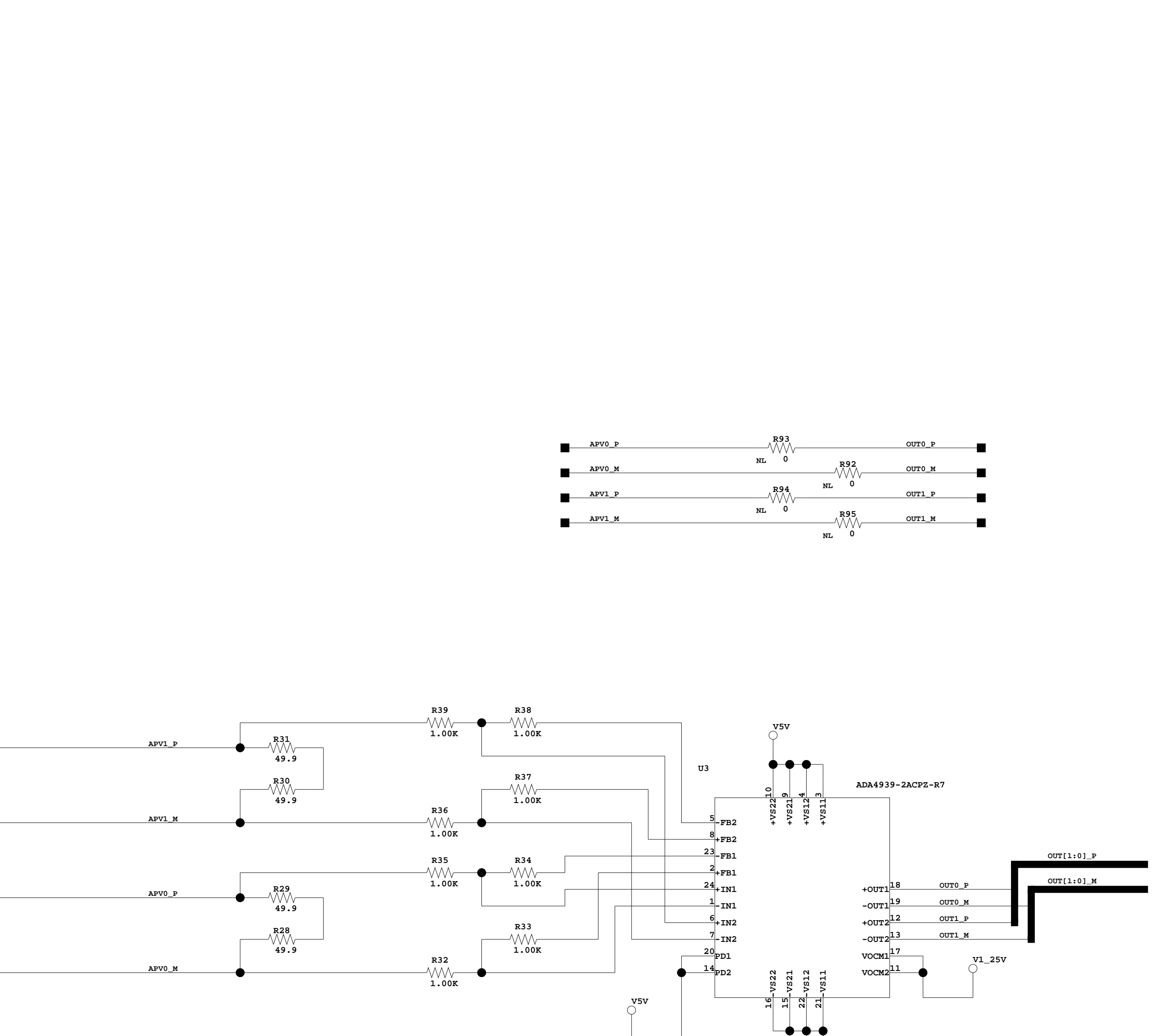
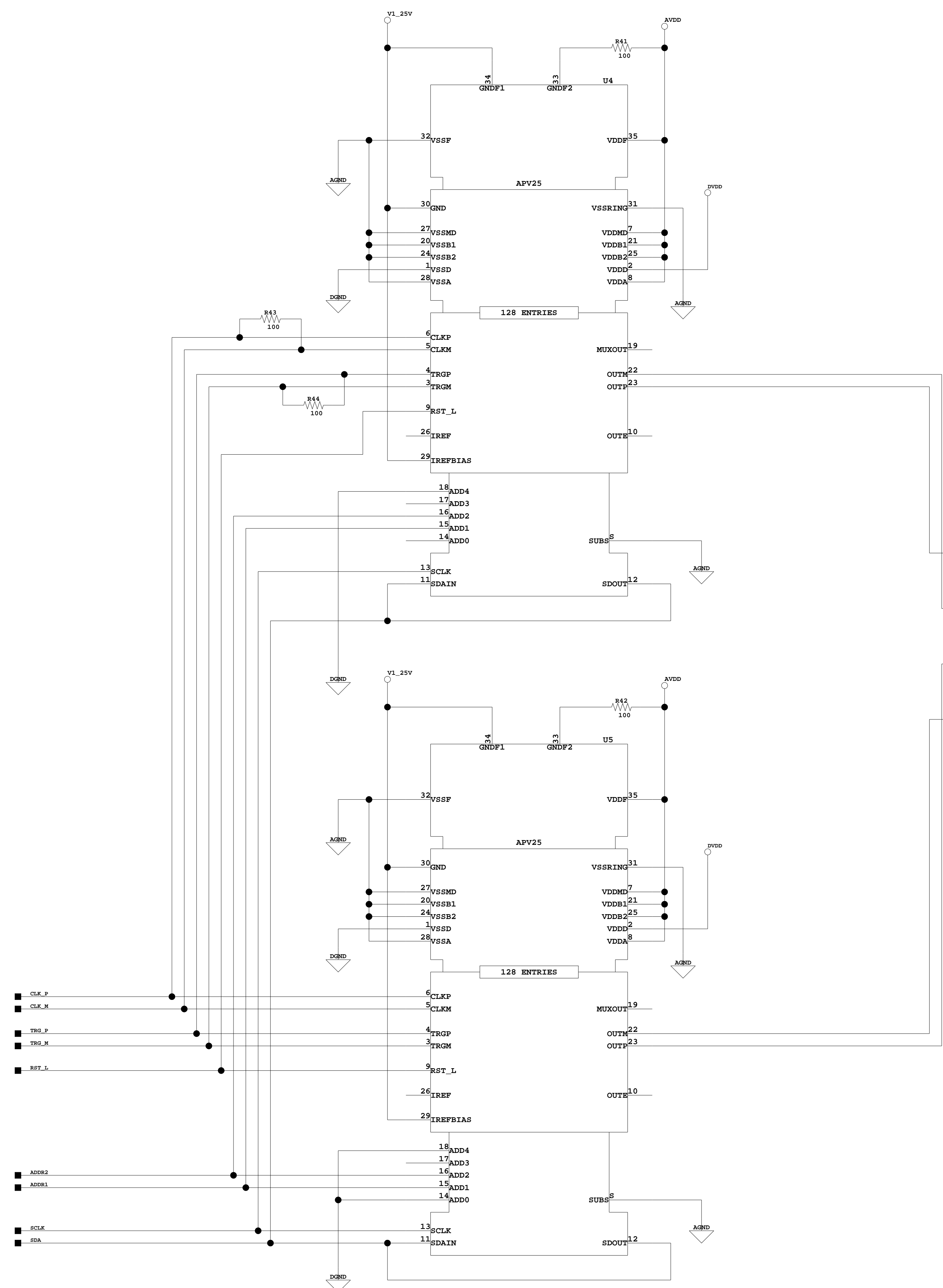
SHEET 1 OF 4

HEAVY P TRACKER HYBRID BOARD

TOP LEVEL

LOCATED AT SHEET TOP

SD-249-901-03-C01



- CLK\_P
- CLK\_M
- TRG\_P
- TRG\_M
- RST\_L
- ADDR2
- ADDR1
- SCLK
- SDA

9-24-2011\_0:05

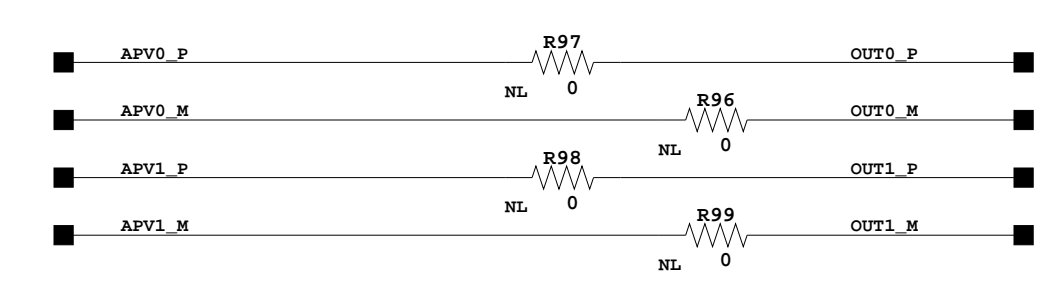
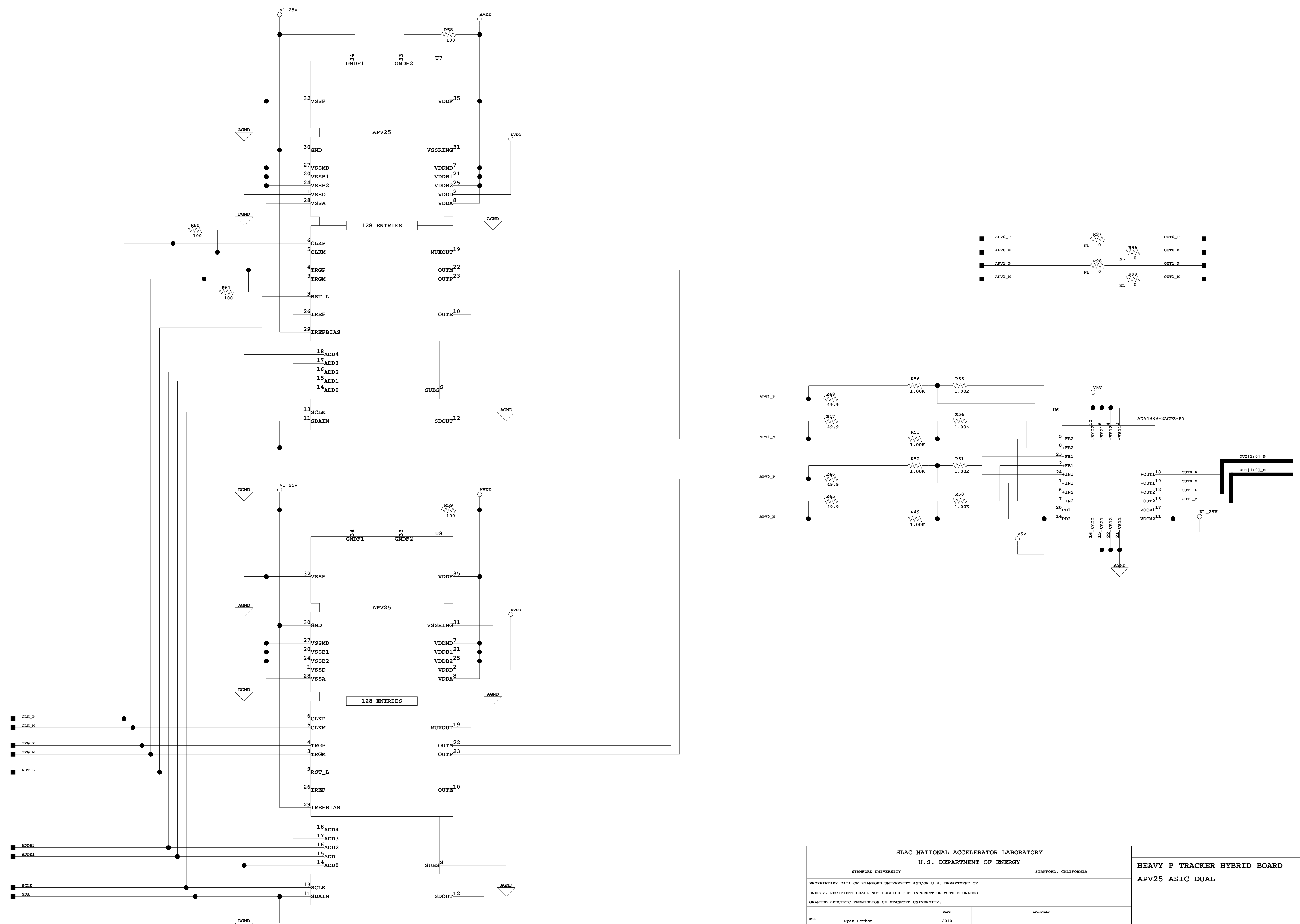
SLAC NATIONAL ACCELERATOR LABORATORY U.S. DEPARTMENT OF ENERGY		STANFORD, CALIFORNIA	
PROPRIETARY DATA OF STANFORD UNIVERSITY AND/OR U.S. DEPARTMENT OF ENERGY. RECIPIENT SHALL NOT PUBLISH THE INFORMATION WITHIN UNLESS GRANTED SPECIFIC PERMISSION OF STANFORD UNIVERSITY.			
DATE	APPROVALS		
BY: Ryan Herbat	DATE: 2010		
CHKD:			
APPV:			

SHEET 2 OF 4

**HEAVY P TRACKER HYBRID BOARD**  
**APV25 ASIC DUAL**

LOCATED AT SHEET 1

SD-249-901-03-C01



9-24-2011\_0:05

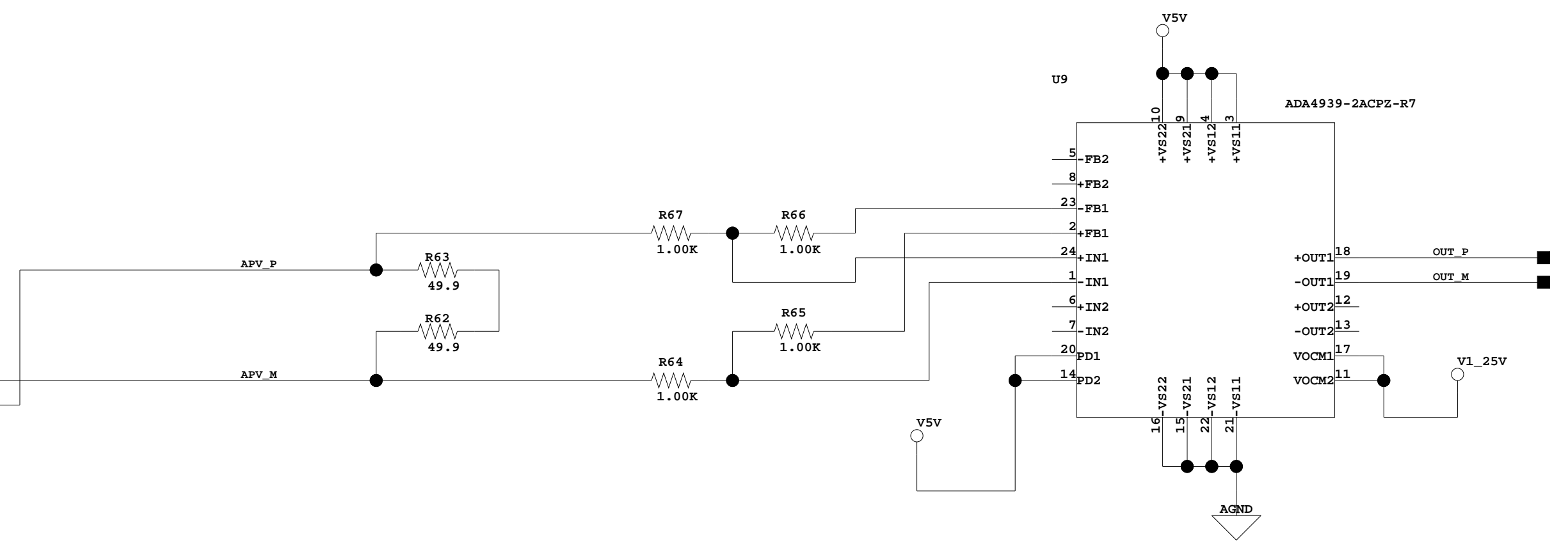
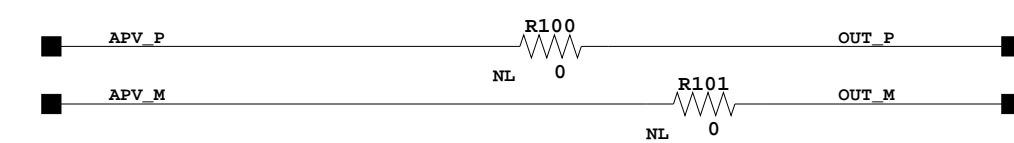
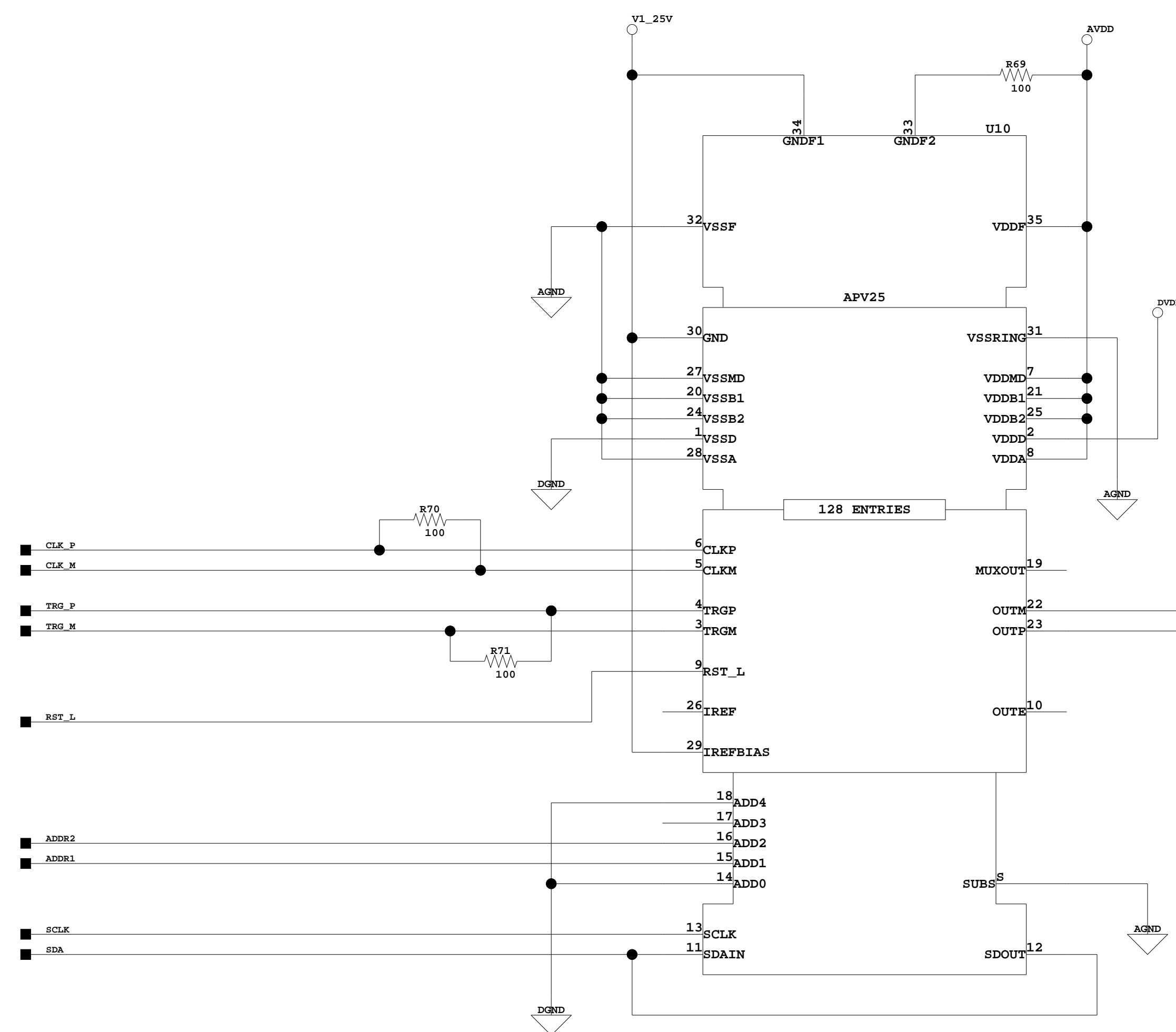
SLAC NATIONAL ACCELERATOR LABORATORY U.S. DEPARTMENT OF ENERGY		STANFORD, CALIFORNIA	
PROPRIETARY DATA OF STANFORD UNIVERSITY AND/OR U.S. DEPARTMENT OF ENERGY. RECIPIENT SHALL NOT PUBLISH THE INFORMATION WITHIN UNLESS GRANTED SPECIFIC PERMISSION OF STANFORD UNIVERSITY.		DATE	APPROVALS
ENGR	Ryan Herbat	2010	
OPFR			
CHKD			

SHEET 3 OF 4

**HEAVY P TRACKER HYBRID BOARD**  
**APV25 ASIC DUAL**

LOCATED AT SHEET 1

SD-249-901-03-C01



9-24-2011\_0:06

SLAC NATIONAL ACCELERATOR LABORATORY U.S. DEPARTMENT OF ENERGY <small>STANFORD UNIVERSITY STANFORD, CALIFORNIA</small>		SHEET 4 OF 4												
<small>PROPRIETARY DATA OF STANFORD UNIVERSITY AND/OR U.S. DEPARTMENT OF ENERGY. RECIPIENT SHALL NOT PUBLISH THE INFORMATION WITHIN UNLESS GRANTED SPECIFIC PERMISSION OF STANFORD UNIVERSITY.</small>		<b>HEAVY P TRACKER HYBRID BOARD</b> <b>APV25 ASIC DUAL</b>												
<table border="1"> <thead> <tr> <th>ENGR</th> <th>DATE</th> <th>APPROVALS</th> </tr> </thead> <tbody> <tr> <td>Ryan Herbst</td> <td>2010</td> <td></td> </tr> <tr> <td></td> <td></td> <td></td> </tr> <tr> <td></td> <td></td> <td></td> </tr> </tbody> </table>	ENGR	DATE	APPROVALS	Ryan Herbst	2010								LOCATED AT SHEET 1 SD-249-901-03-C01	
ENGR	DATE	APPROVALS												
Ryan Herbst	2010													