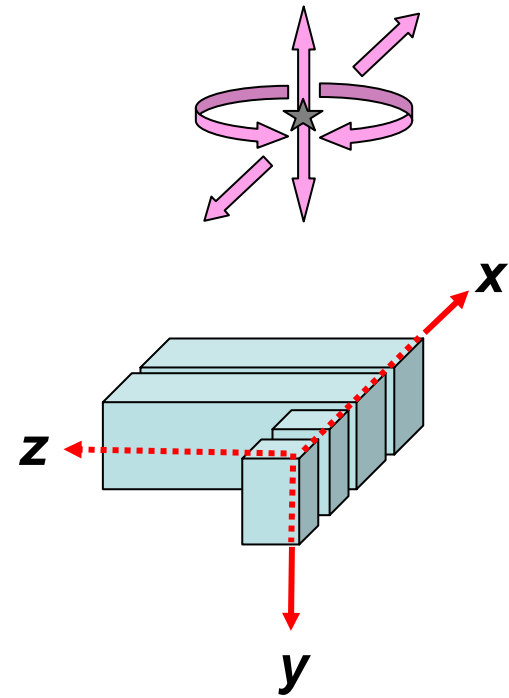
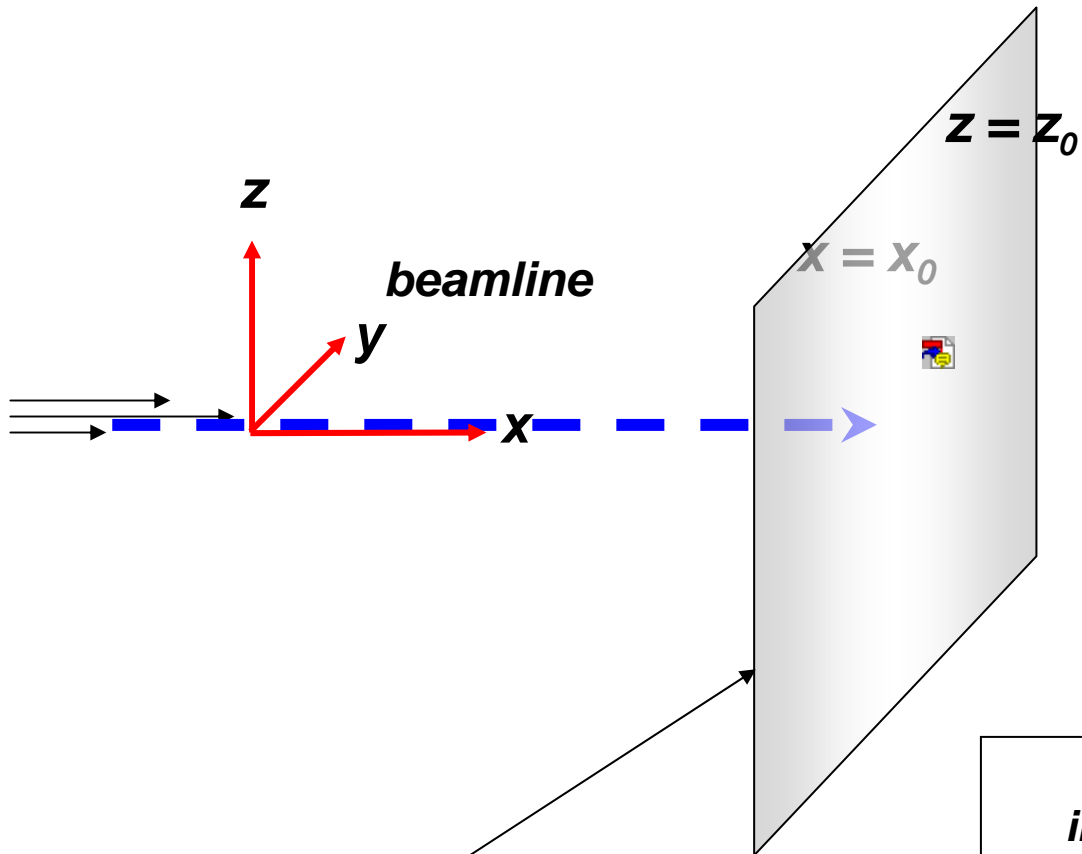


CU on the Beamline

DOF of XY table



*In CU coordinate system,
incoming particles along z axis*

*plane for reporting initial particles:
(x_0 in beamline coordinates)
(z_0 in CU coordinates)*